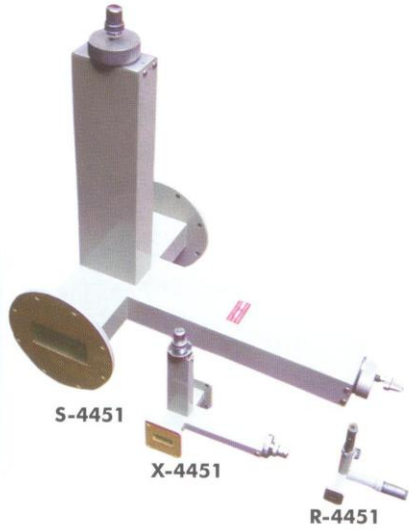




Synergy Telecom (P) Ltd   Synergy Telecom (P) Ltd   Synergy Telecom (P) Ltd   Synergy Telecom (P) Ltd  
 Synergy Telecom (P) Ltd   Synergy Telecom (P) Ltd   Synergy Telecom (P) Ltd   Synergy Telecom (P) Ltd  
 Synergy Telecom (P) Ltd   Synergy Telecom (P) Ltd   Synergy Telecom (P) Ltd   Synergy Telecom (P) Ltd

## E-H TUNERS



- Model 4451 E-H Tuners are exceptionally a mismatch correcting device.
- These consists of a section of waveguide flanged at both ends and waveguide arms which are mounted in the centre of the waveguide at right angles to each other, which are each terminated in a movable short circuit.
- These two arms form the series and shunt reactances in the form of tuned circuits as matching devices.

Synergy Telecom (P) Ltd   Synergy Telecom (P) Ltd   Synergy Telecom (P) Ltd   Synergy Telecom (P) Ltd

Model No.	Frequency Range	Waveguide Type	Flange Type
ST-L-4451	1.7-2.60	430	CPR-430
ST-S-4451	2.60-3.95	284	53
ST-C-4451	3.95-5.85	187	149A
ST-J-4451	5.85-8.20	137	344
ST-X-4451	8.20-12.4	90	39
ST-Ku-4451	12.4-18.0	62	419

Synergy Telecom (P) Ltd   Synergy Telecom (P) Ltd   Synergy Telecom (P) Ltd   Synergy Telecom (P) Ltd  
 Synergy Telecom (P) Ltd   Synergy Telecom (P) Ltd   Synergy Telecom (P) Ltd   Synergy Telecom (P) Ltd  
 Synergy Telecom (P) Ltd   Synergy Telecom (P) Ltd   Synergy Telecom (P) Ltd   Synergy Telecom (P) Ltd