

Synergy Telecom P Ltd.

L9 (1.6/5.6 75Ω) 系列是一种小型螺纹连接的同轴连接器,具有重量轻、体积小和机械电气性能稳定的特点。可广泛用于多种通讯设备中。

界面尺寸和技术特性符合IEC169-13, CECC22240和 DIN47295规范要求。

Series L9(1.6/5.6 75Ω) are thread coupling miniature coaxial connectors. Which have the excellent performances of small size, high mechanical and electrical stability, and can be used in many types of communication equipment.

The interface dimensions and technical characteristics are in accord with the specifications of IEC169-13. CECC22240 and DIN 47295.

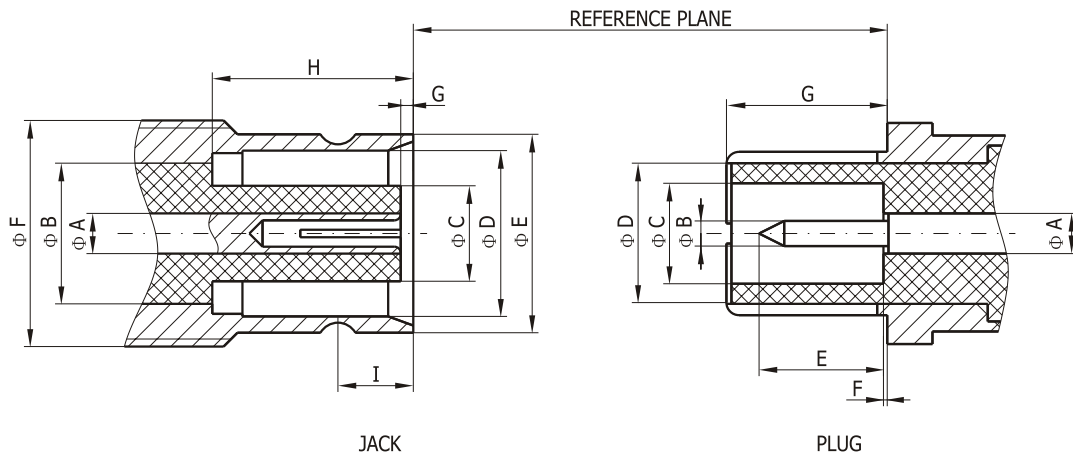


主要技术特性			KEY PERFORMANCE	
温度范围 Temperature range	-65~+155℃		绝缘电阻 Insulation resistance	≥10000MΩ
特性阻抗 Characteristic impedance	75Ω		介质耐压 Dielectric Withstanding voltage	750V(rms)
频率范围 Frequency range	0~4GHz		工作电压 Voltage rating	330V(rms)
接触电阻 Contact resistance	中心导体 Center conductor	≤10mΩ	寿命 Durability	500 Cycles
	外导体 Outer conductor	≤5mΩ	电压驻波比 VSWR	≤1.23

材料与涂覆		MATERIAL AND PLATING	
壳体 Body		黄铜镀硬金或镀镍 Brass, gold or nickel plated	
插针 Male center contacts		黄铜镀硬金 Brass, gold plated	
插孔 Female center contacts		铍青铜镀硬金 Beryllium copper, gold plated	
绝缘体 Insulators		聚四氟乙烯 PTFE	
压接套 Crimp ferrules		铜合金镀镍或镀金 Copper alloy, nickel or gold plated	

Synergy Telecom P Ltd.

界面尺寸 (mm) Interface Dimensions in mm



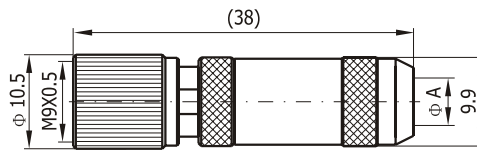
代号 Letter	插座 /Jack(female)		插头 /Plug(male)	
	最小 Minimum	最大 Maximum	最小 Minimum	最大 Maximum
A	—	1.60	—	1.60
B	—	2.60	0.97	1.03
C	—	3.80	4.00	—
D	6.60	6.69	—	5.60
E	8.10	8.25	—	5.50
F	—	M9X0.5	—	0.15
G	0.25	—	6.40	6.60
H	6.70	—	—	—
I	2.90	3.10	—	—

Synergy Telecom P Ltd.

1. 软电缆连接器 Flexible Cable connectors

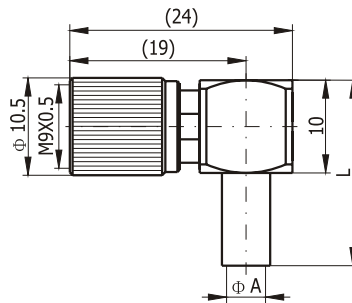
直式软电缆插头 Straight Cable Plugs

产品编码 Product No.	产品名称 Product type	适用电缆 Apply cable	备注 Notes
231A-7501	L9-75J3	2.5/3/75S	A=3.3
231A-7502	L9-75J3.5D	3.5/75D	A=3.7
231A-7503	L9-75J4	4/75S	A=4.3
231A-7504	L9-75J4D	4/75D	A=4.3
231A-7505	L9-75J5	5/75S	A=5.3



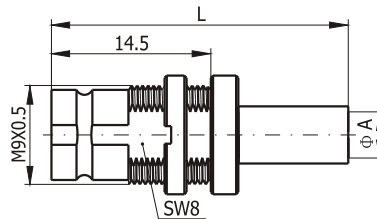
弯式软电缆插头 Right Angle Cable Plugs

产品编码 Product No.	产品名称 Product type	适用电缆 Apply cable	备注 Notes
233A-7501	L9-75JW3Y	2.5/3/75S	A=3.1 L=18.0
233A-7502	L9-75JW3.5DY	3.5/75D	A=4.5 L=20.0
233A-7503	L9-75JW4Y	4/75S	A=4.2 L=20.0
233A-7504	L9-75JW4DY	4/75D	A=4.3 L=20.0
233A-7505	L9-75JW5Y	5/75S	A=5.2 L=22.0



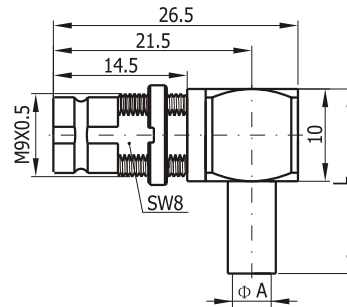
直式穿墙安装软电缆插座 Straight Bulkhead Cable Jacks

产品编码 Product No.	产品名称 Product type	适用电缆 Apply cable	安装尺寸 Mounting Hole	备注 Notes
232A-7501	L9-75KY3Y	2.5/3/75S	H16	A=3.1 L=25.0
232A-7502	L9-75KY3.5DY	3.5/75D	H16	A=4.5 L=27.0
232A-7503	L9-75KY4Y	4/75S	H16	A=4.2 L=27.0
232A-7504	L9-75KY4DY	4/75D	H16	A=4.3 L=27.0
232A-7505	L9-75KY5Y	5/75S	H16	A=5.2 L=29.0



弯式软电缆插座 Right Angle Cable Jacks

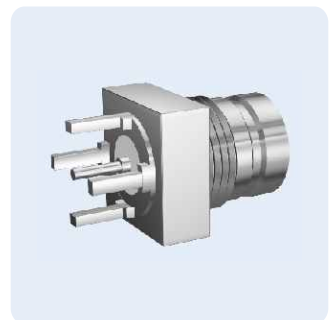
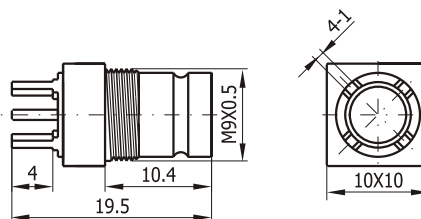
产品编码 Product No.	产品名称 Product type	适用电缆 Apply cable	安装尺寸 Mounting Hole	备注 Notes
234A-7501	L9-75KW3Y	2.5/3/75S	H16	A=3.1 L=18.0
234A-7502	L9-75KW3.5DY	3.5/75D	H16	A=4.5 L=20.0
234A-7503	L9-75KW4Y	4/75S	H16	A=4.2 L=20.0
234A-7504	L9-75KW4DY	4/75D	H16	A=4.3 L=20.0
234A-7505	L9-75KW5Y	5/75S	H16	A=5.2 L=22.0



2. 印制板连接器 PCB Connectors

直式印制板插座 Straight PCB Jacks

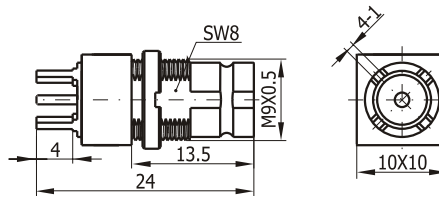
产品编码 Product No.	产品名称 Product type	安装尺寸 Mounting Hole	备注 Notes
232A-4801	L9-75KHD	H64	



Synergy Telecom P Ltd.

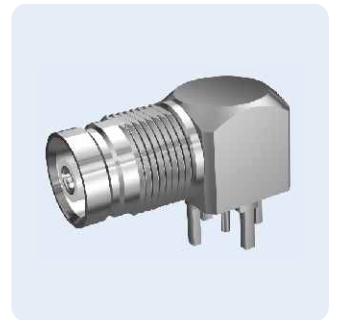
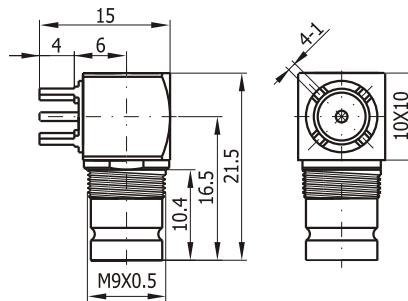
直式穿墙安装印制板插座 Straight Bulkhead PCB Jacks

产品编码 Product No.	产品名称 Product type	安装尺寸 Mounting Hole	备注 Notes
232B-B801	L9-75KYHD	H16 H64	



弯式穿印制板插座 Right Angle PCB Jacks

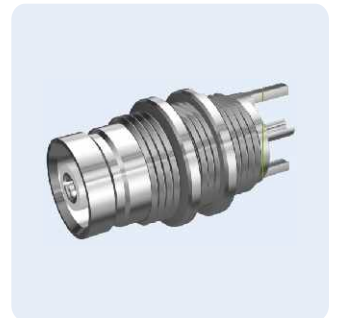
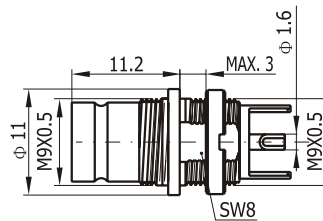
产品编码 Product No.	产品名称 Product type	安装尺寸 Mounting Hole	备注 Notes
234B-4801	L9-75KWHD	H64	



3. 穿墙安装连接器 Bulkhead Mount Connectors

直式印制板插座 Straight PCB Jacks

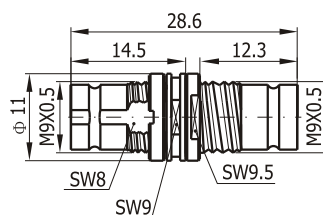
产品编码 Product No.	产品名称 Product type	安装尺寸 Mounting Hole	备注 Notes
232B-2801	L9-75KY	H16	



4. 转接器 Adapters

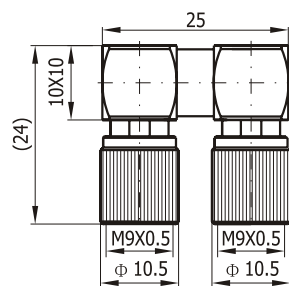
直式转接器 Straight L9/L9-75KKY Adapters

产品编码 Product No.	产品名称 Product type	安装尺寸 Mounting Hole	备注 Notes
230B-2931	L9-75KKY	H16	



直式转接器 Straight L9/L9-75JWJ Adapters

产品编码 Product No.	产品名称 Product type	备注 Notes
230B-7911	L9-75JWJ	



Synergy Telecom P Ltd.

直式转接器 Straight L9/L9-75JKJW Adapters

产品编码 Product No.	产品名称 Pruduct type	备注 Notes
230B-7961	L9-75JKJW	

