

# Synergy Telecom P Ltd.

SMP系列是一种推入式小型射频同轴连接器。主要用于具有高密度封装要求的模块相互连接系统。具有易插拔、重量轻、抗振动和较高使用频率的性能。

Series SMP are push-on coupling microminiature RF coaxial connectors developed for modular interconnect system with denser packaging requirements. Which have the excellent performances of easy connect/disconnect, light-weight, vibration-proof and high frequency range.

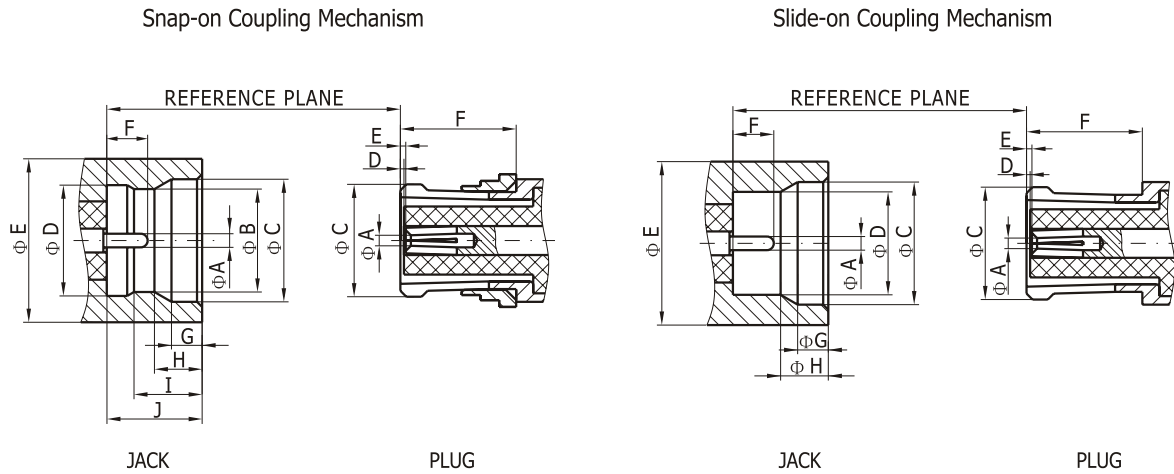


主要技术特性		KEY PERFORMANCE		
温度范围 Temperature range	-65~+165℃	绝缘电阻 Insulation resistance	≥ 5000MΩ	
特性阻抗 Characteristic impedance	50 Ω	介质耐压 Dielectric Withstanding voltage	500V(rms)	
频率范围 Frequency range	0~40GHz	接触电阻 Contact resistance	中心导体 Center conductor	≤ 6mΩ
			外导体 Outer conductor	≤ 2mΩ
电压驻波比 VSWR	≤ 1.10, 0~23GHz	寿命 Durability	500次	
	≤ 1.15, 23~26GHz			
	≤ 1.40, 26~40GHz			

材料与涂覆	MATERIAL AND PLATING
壳体 Body	黄铜镀硬金或锡青铜镀硬金 Brass or phosphor bronze, gold plated
插针 Male center contacts	锡青铜镀硬金 Phosphor bronze, gold plated
插孔 Female center contacts	铍青铜镀硬金 Beryllium copper, gold plated
绝缘体 Insulators	聚四氟乙烯 PTFE
密封件 Gaskets	玻璃烧结 Glass
压接套 Crimp ferrules	铜合金镀镍或镀金 Copper alloy, nickel or gold plated

# Synergy Telecom P Ltd.

界面尺寸 (mm) Interface Dimensions in mm



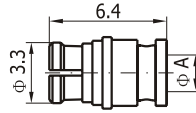
代号 Letter	插头 / Plug(female)		插座 / Jack(male)	
	最小 Minimum	最大 Maximum	最小 Minimum	最大 Maximum
A	—	—	0.356	0.406
B	—	—	2.896	2.996
C	—	3.43	3.557	3.657
D	-0.07	0.12	3.125	3.225
E	-0.07	0.20	—	—
F	3.35	—	0.890	1.778
G	—	—	0.839	0.939
H	—	—	1.397	1.447
I	—	—	1.982	2.082
J	—	—	2.744	2.844

# Synergy Telecom P Ltd.

## 1. 半刚电缆连接器 Semi-rigid Cable connectors

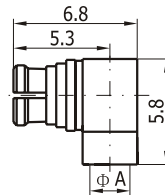
直式半刚电缆插头 Straight Cable Plugs

产品编码 Product No.	产品名称 Product type	适用电缆 Apply cable	备注 Notes
132A-7661	SMP-KB1	.047	A=1.3
132A-7662	SMP-KB2	.086	A=2.2



弯式半刚电缆插头 Right Angle Cable Plugs

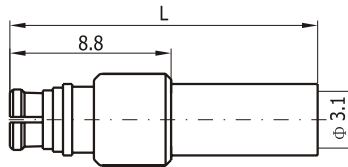
产品编码 Product No.	产品名称 Product type	适用电缆 Apply cable	备注 Notes
134A-7661	SMP-KWB1	.047	A=1.3
134A-7662	SMP-KWB2	.086	A=2.2



## 2. 软电缆连接器 Flexible Cable connectors

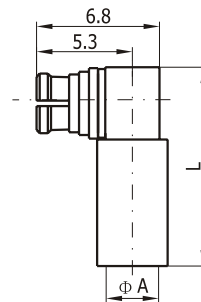
直式软电缆插头 Straight Cable Plugs

产品编码 Product No.	产品名称 Product type	适用电缆 Apply cable	备注 Notes
132A-7501	SMP-K2	2/50S	L=16.3 A=2.5
132A-7502	SMP-K3	2.5/3/50S	L=16.8 A=3.1
132A-7503	SMP-K2.5D	2.5/50D	L=17.8 A=3.4



弯式软电缆插头 Right Angle Cable Plugs

产品编码 Product No.	产品名称 Product type	适用电缆 Apply cable	备注 Notes
134A-7501	SMP-KW2	2/50S	L=11.5 A=2.5
134A-7502	SMP-KW3	2.5/3/50S	L=12.0 A=3.1
134A-7503	SMP-KW2.5D	2.5/50D	L=13.0 A=3.4



## 3. 转接器 Adapters

直式转接器 Straight SMP-KK Adapters

产品编码 Product No.	产品名称 Product type	备注 Notes
130A-7931	SMP-KK	

