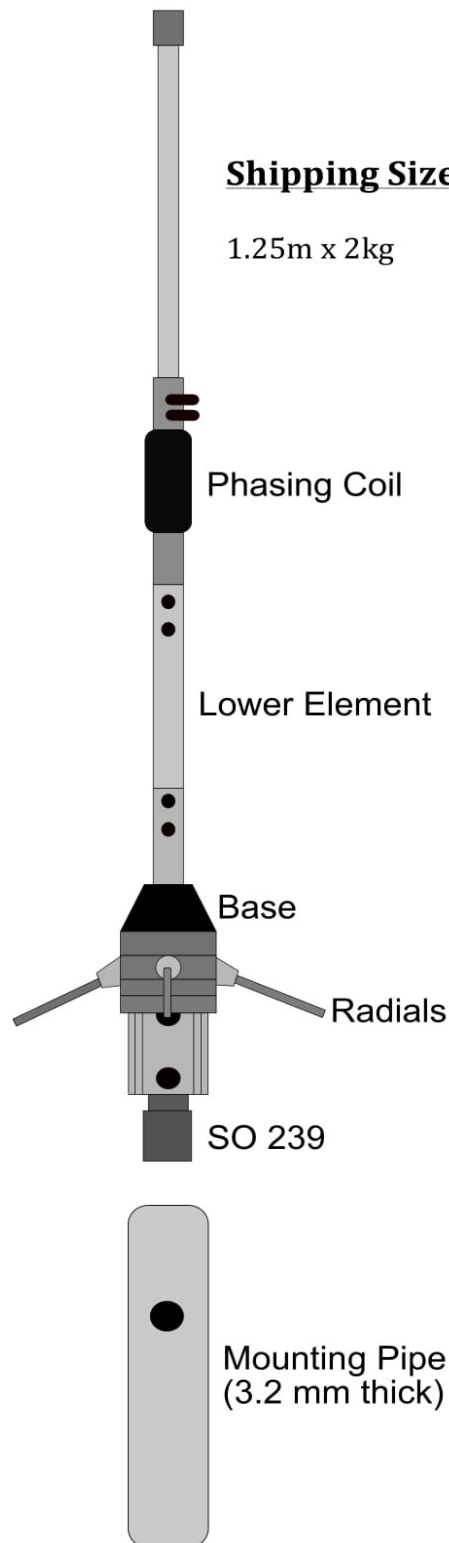


## 6 dB GROUND PLANE ANTENNA (VHF)



### Assembly Procedure

1. The Antenna is factory tuned and requires no further tuning.
2. Insert the phasing coil into the lower element. Align the holes and tighten with screws provided.
3. Tighten the four radials on base of Antenna.
4. Remove connector protection cover.
5. Insert the cable through the mounting pipe and connect cable to antenna.
6. Slide the mounting pipe on the base. Align hole on mounting pipe with the