

GROUND PLANE UNITY GAIN BASE ANTENNA (MILITARY STANDARD, OLIVE COLOUR)

CUTTING CHARTS

VHF (LOW BAND)

FREQUENCY (MHz)	LENGTH (cms)
66	114
72	104
77	98
88	85

AIR BAND

FREQUENCY (MHz)	LENGTH (cms)
118	64
125	60
130	58
136	55

VHF (HIGH BAND)

FREQUENCY (MHz)	LENGTH (cms)
136	55
155	48
165	45
174	43

MARINE BAND

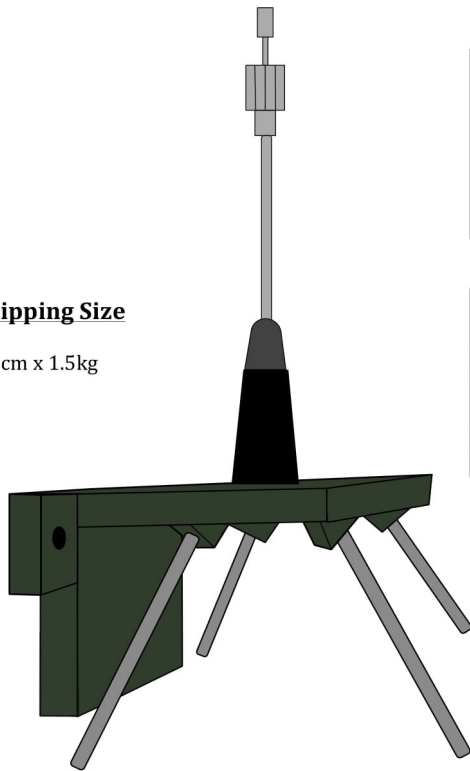
FREQUENCY (MHz)	LENGTH (cms)
151	50
155	49
160	47
165	46

UHF

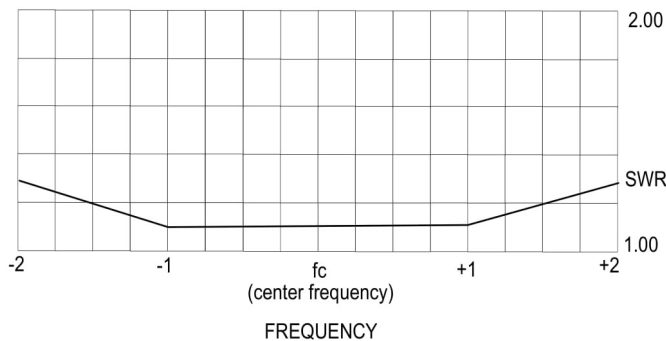
FREQUENCY (MHz)	LENGTH (cms)
350	22
400	19
450	17
512	15

Shipping Size

60 cm x 1.5kg



TYPICAL FREQUENCY TO SWR CHART



SPECIFICATIONS

- | | |
|----------------------------|-----------------------------|
| 1. TYPE OF ANTENNA | : GP ANTENNA UNITY GAIN |
| 2. FREQUENCY | : VHF/UHF |
| 3. INPUT IMPEDENCE | : 50 OHMS |
| 4. POWER HANDLING CAPACITY | : 100 WATTS |
| 5. INPUT TERMINATION | : UHF FEMALE SO239/N-FEMALE |
| 6. GAIN | : UNITY GAIN (quarter wave) |
| 7. POLARIZATION | : VERTICAL/HORIZONTAL |
| 8. RADIATION PATTERN | : OMNI DIRECTIONAL |
| 9. CONSTRUCTION | : ALUMINIUM/BRASS/SS |

ASSEMBLY INSTRUCTION

The Antenna consists of a Brass Base, 4 nos. Radials and 1 Brass radiating element (adjustable).

The 4 radials are to be screwed into the 4 holes on the base enclosing the UHF (F) connector. To install the radiating element, screw stem on the top of the base. The length of the radiating element can be adjusted as per frequency cutting chart or by checking it with the help of through line wattmeter, preferable make Diamond/Bird.