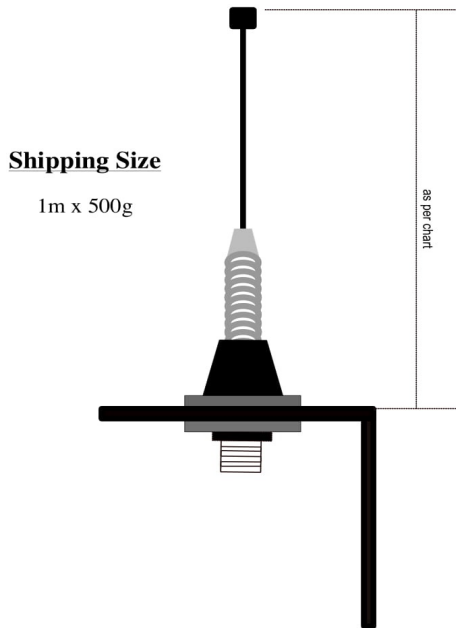


Synergy Telecom P Ltd.

0dB WHIP ANTENNA

SPRING TYPE

CUTTING CHART



VHF (LOW BAND)

FREQUENCY (MHz)	LENGTH (cms)
66	114
72	104
77	98
88	85

AIR BAND

FREQUENCY (MHz)	LENGTH (cms)
118	64
125	60
130	58
136	55

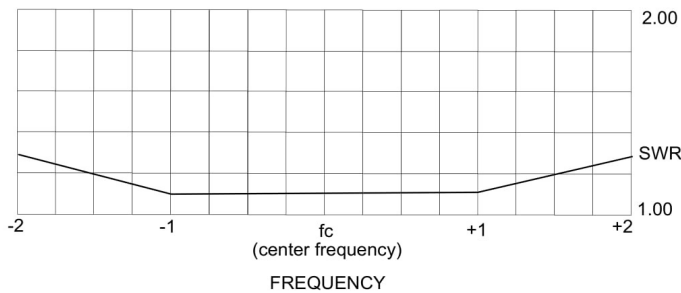
VHF (HIGH BAND)

FREQUENCY (MHz)	LENGTH (cms)
136	55
155	48
165	45
174	43

UHF

FREQUENCY (MHz)	LENGTH (cms)
136	55
155	48
165	45
174	43

TYPICAL FREQUENCY TO SWR CHART



SPECIFICATIONS

- | | |
|----------------------------|--------------------|
| 1. TYPE OF ANTENNA | : 0dB WHIP ANTENNA |
| 2. FREQUENCY | : VHF/UHF |
| 3. INPUT IMPEDENCE | : 50 OHMS |
| 4. POWER HANDLING CAPACITY | : 100 WATTS |
| 5. INPUT TERMINATION | : UHF FEMALE SO239 |
| 6. GAIN | : UNITY GAIN |
| 7. POLARIZATION | : VERTICAL |
| 8. RADIATION PATTERN | : OMNI DIRECTIONAL |
| 9. CONSTRUCTION | : BRASS/SS |

ASSEMBLY INSTRUCTION

The Antenna consists of a Brass Base and 1 spring type steel radiating element.

To install the radiating element, screw stem on the top of the base. The length of the radiating element is to be cut as per frequency cutting chart or by checking it with the help of through line wattmeter, preferable make Diamond/Bird.

This completes the assembly of the antenna. The antenna can be mounted on any vehicle preferably on the top of the vehicle.