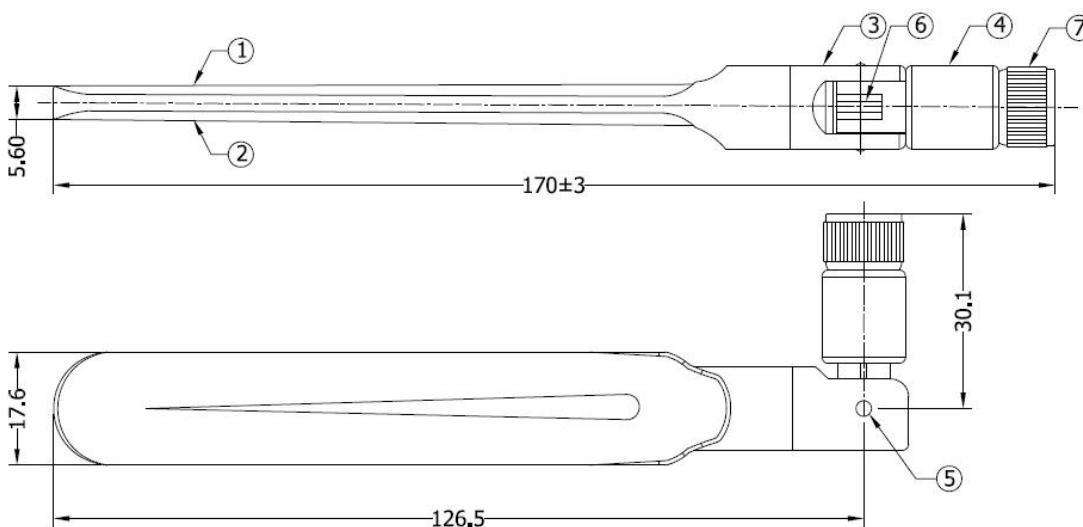


Synergy Telecom P Ltd.

Whip Antenna RA 90 deg. 3 dBi, 2.4 & 5.8 Ghz (B type)
2400~2500 MHz, 4900~5900 MHz



Electrical Properties	
Frequency range (MHz)	2400~2500 MHz, 4900~5900 MHz
Polarization	Linear
VSWR	<=2.0
Gain(dBi)	3 dBi
Max Input Power(w)	50
Material of Radiator	PCB
Impedance (Ω)	50
Grounding	DC ground
Mechanical Properties	
Antenna Material	ABS+TPEE
Antenna Size	Φ13*170±2.0
Environmental Friendly	ROHS compliant
Radome material	ABS
Operating temperature (°C)	-40C ~+85C
Random Color	Black
Connector	RP-SMA Male



WZ-47 BUDHELLA VILLAGE, VIKASPURI, NEW DELHI – 110018

PHONE: 011-28533349, MOB: 9810138894/9212558066, FAX: 011-28533349

EMAIL: info@rfconnector.in, WEBSITE: <http://rfconnector.in/>