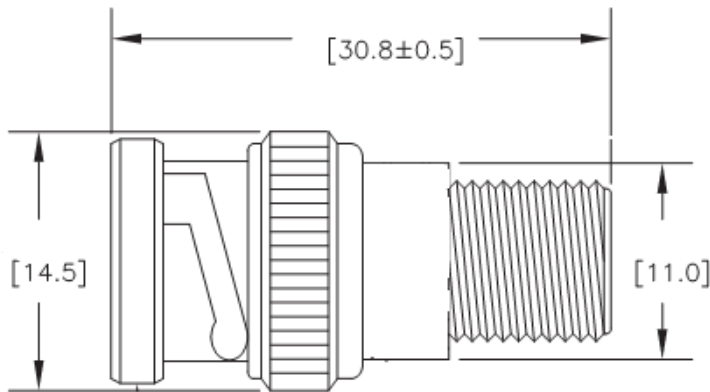


# Synergy Telecom P Ltd.

## BNC M TO TNC F ADAPTOR

Part no-ST01BTMF006



### Electrical:

Characteristic Impedance	50 ohm
Frequency Range	DC-4 GHz
VSWR	≤1.20@DC-4 GHz
Insertion Loss	≤0.10 dB

### Mechanical:

Durability	Mating Cycles ≥500
------------	--------------------

### Material and Plating:

	Material	Plating
Body	Brass	Ni
Insulator	PTFE(Teflon)	-
Center conductor	Phosphor Copper	Au

### Environmental:

Operating Temperature Range	-40°C ~ +85°C
RoHs	Compliant
Weatherproof Rate	IP 67