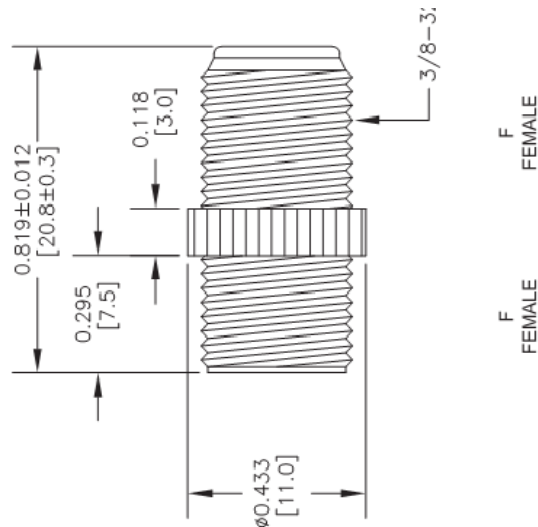


Synergy Telecom P Ltd.

F (f) - F (f) ADAPTOR

Part No-ST01FFF003



Electrical:

| | |
|--------------------------|--------------------------------|
| Characteristic Impedance | 75 ohm |
| Frequency Range | DC-3 GHz |
| VSWR | $\leq 1.15 @ DC-3 \text{ GHz}$ |
| Insertion Loss | $\leq 0.10 \text{ dB}$ |

Mechanical:

| | |
|------------|--------------------------|
| Durability | Mating Cycles ≥ 500 |
|------------|--------------------------|

Material and Plating:

| | Material | Plating |
|------------------|-----------------|---------|
| Body | Brass | Ni |
| Insulator | PTFE(Teflon) | - |
| Center conductor | Phosphor Copper | Au |

Environmental:

| | |
|-----------------------------|--|
| Operating Temperature Range | $-40^{\circ}\text{C} \sim +85^{\circ}\text{C}$ |
| RoHs | Compliant |
| Weatherproof Rate | IP 67 |

WZ-47 BUDHELLA VILLAGE ,VIKASPURI NEW DELHI-110018
Phone: 011-28533349, Mob: 9810138894/9212558066, Fax: 011-28533349
Email:- info@rfconnector.in, Website:- www.rfconnector.in