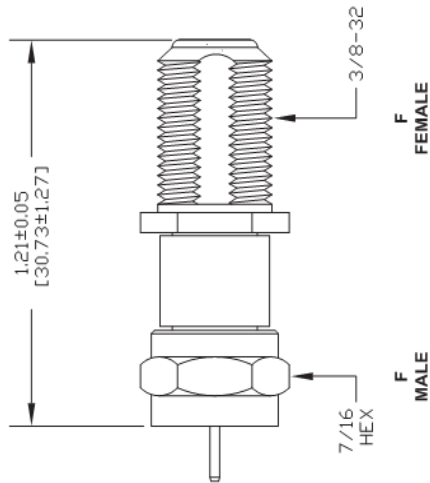


Synergy Telecom P Ltd.

F(m)-F(f) ADAPTOR

Part No:ST01FFMF003



Electrical:

Characteristic Impedance	75 ohm
Frequency Range	DC-3 GHz
VSWR	$\leq 1.15 @ DC-3 \text{ GHz}$
Insertion Loss	$\leq 0.10 \text{ dB}$

Mechanical:

Durability	Mating Cycles ≥ 500
------------	--------------------------

Material and Plating:

	Material	Plating
Body	Brass	Ni
Insulator	PTFE(Teflon)	-
Center conductor	Phosphor Copper	Au

Environmental:

Operating Temperature Range	$-40^{\circ}\text{C} \sim +85^{\circ}\text{C}$
RoHs	Compliant
Weatherproof Rate	IP 67

WZ-47 BUDHELLA VILLAGE ,VIKASPURI NEW DELHI-110018
Phone: 011-28533349, Mob: 9810138894/9212558066, Fax: 011-28533349
Email:- info@rfconnector.in, Website:- www.rfconnector.in