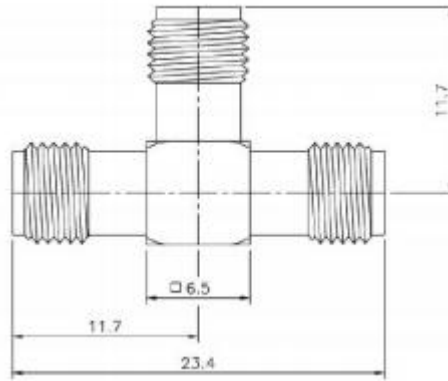


# Synergy Telecom P Ltd.

## SMA F F F Adaptor



### Electrical Specification

<b>Characteristic Impedance</b>	50 ohm
<b>Frequency Range</b>	DC- 3 GHz
<b>VSWR</b>	<1.2
<b>Contact Resistance</b>	Inner Conductor : < 1.0 m Ω Outer Conductor : < 0.25 m Ω
<b>Dielectric withstanding Voltage</b>	>2500V RMS, 50Hz, At sea Level
<b>Dielectric Resistance</b>	> 5000 M Ω
<b>RoHS</b>	Compliance

### Material Specification

<b>Body</b>	Brass	<b>Plating</b>	Gold
<b>Insulator</b>	Teflon/Darling		-
<b>Center Conductor</b>	Brass /PB/BC		Gold/Nickel
<b>Coupling Nut</b>	Brass		Nickel

### Environmental

<b>Temperature Range</b>	- 10°C – +55 °C
--------------------------	-----------------

13-15 RPS flats, E-block, Vikaspuri, N Delhi-110018, India  
 Phone-91 11 28533349, Mobile-91 98101 38894, Fax -91 11 2853 1435,  
 E-mail : pradeep@rfconnectorhouse.com, Website : http://www.rfconnector.info/