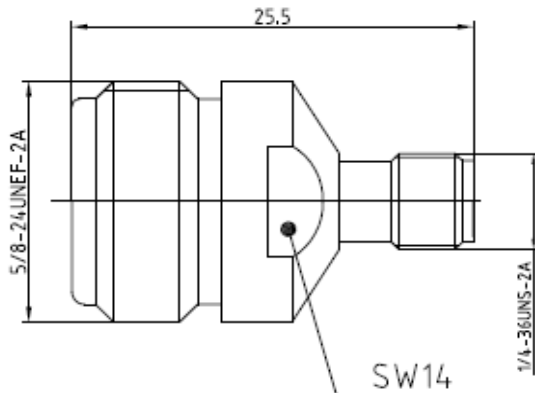


# Synergy Telecom P Ltd.

## SMA F TO N F ADAPTOR

Part No-ST01NSFF006



### Electrical:

Characteristic Impedance	50 ohm
Frequency Range	DC-6 GHz
VSWR	$\leq 1.15$ @DC-3 GHz & $\leq 1.20$ @3-6 GHz
Insertion Loss	$\leq 0.10$ dB

### Mechanical:

Durability	Mating Cycles $\geq 500$
------------	--------------------------

### Material and Plating:

	Material	Plating
Body	Brass	Ni
Insulator	PTFE(Teflon)	-
Center conductor	Beryllium Copper	Gold

### Environmental:

Operating Temperature Range	-40°C ~ +85°C
RoHs	Compliant
Weatherproof Rate	IP 67