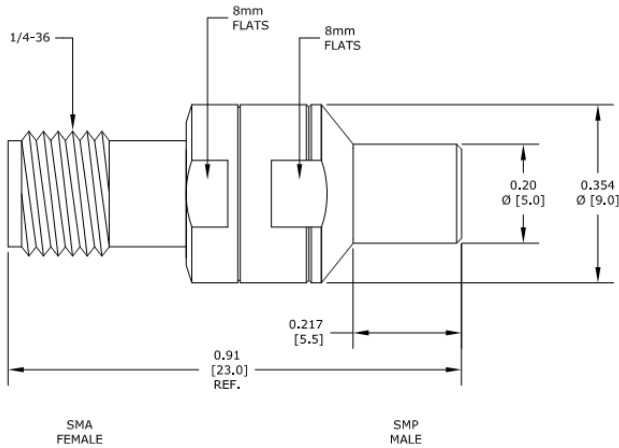


Synergy Telecom P Ltd.

SMA F TO SMP M ADAPTOR

Part No-ST01SSMPFM018



Electrical:

Characteristic Impedance	50 ohm
Frequency Range	DC-18 GHz
VSWR	≤1.30@DC-18 GHz
Insertion Loss	≤0.10 dB

Mechanical:

Durability	Mating Cycles ≥500
------------	--------------------

Material and Plating:

	Material	Plating
Body	SS	Passivated
Insulator	PTFE(Teflon)	-
Center conductor	Phosphor Copper	Au

Environmental:

Operating Temperature Range	-40°C ~ +85°C
RoHs	Compliant
Weatherproof Rate	IP 67

WZ-47 BUDHELLA VILLAGE ,VIKASPURI NEW DELHI-110018

Phone: 011-28533349, Mob: 9810138894/9212558066, Fax: 011-28533349

Email:- info@rfconnector.in, Website:- www.rfconnector.in