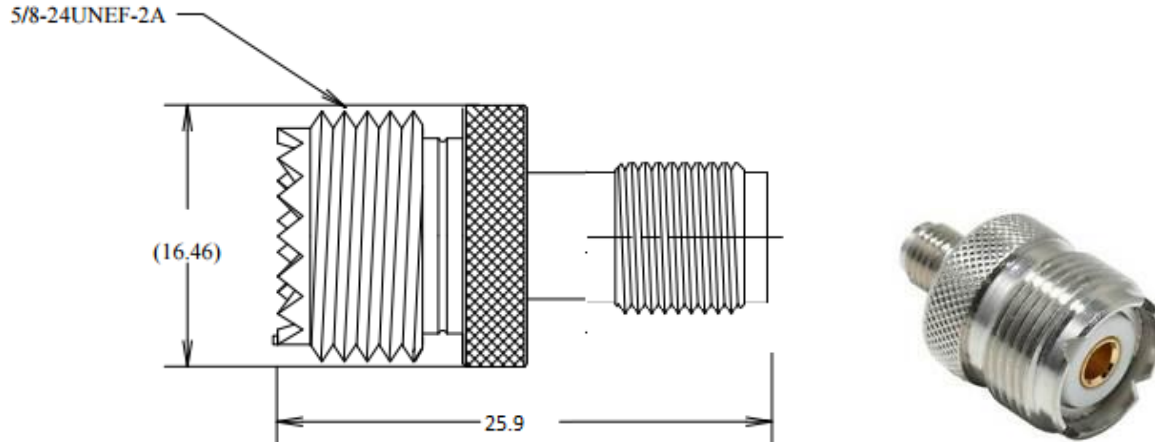


Synergy Telecom P Ltd.

SMA F TO UHF F ADAPTOR

Part No-ST01USFF006



Electrical:

Characteristic Impedance	50 ohm
Frequency Range	DC-6 GHz
VSWR	≤ 1.10 @DC-3 GHz
Insertion Loss	≤ 0.10 dB

Mechanical:

Durability	Mating Cycles ≥ 500
------------	--------------------------

Material and Plating:

	Material	Plating
Body	Brass	Ni
Insulator	PTFE(Teflon)	-
Center conductor	Phosphor Copper	Ag

Environmental:

Operating Temperature Range	$-40^{\circ}\text{C} \sim +85^{\circ}\text{C}$
RoHs	Compliant
Weatherproof Rate	IP 67