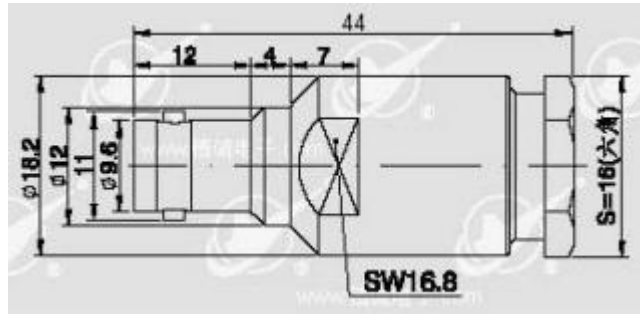


# Synergy Telecom P Ltd.

## BNC (F) LMR 240 CLAMP:-



### Electrical Specification

Characteristic Impedance	50 ohm
Frequency Range	DC- 3 GHz
VSWR	<1.2
Contact Resistance	Inner Conductor : < 1.5 m Ω Outer Conductor : < 1.0 m Ω
Dielectric withstanding Voltage	>2500V RMS, 50Hz, At sea Level
Dielectric Resistance	> 5000 M Ω
RoHS	Compliance

### Mechanical

Durability Mating	cycle ≥500
-------------------	------------

### Material Specification

	Material	Plating
Body	Brass	White Bronze
Insulator	Teflon/PTFE	
Center Conductor	Phosphor Copper	Gold(AU)

### Environmental

Temperature Range	- 10°C – +55 °C
-------------------	-----------------