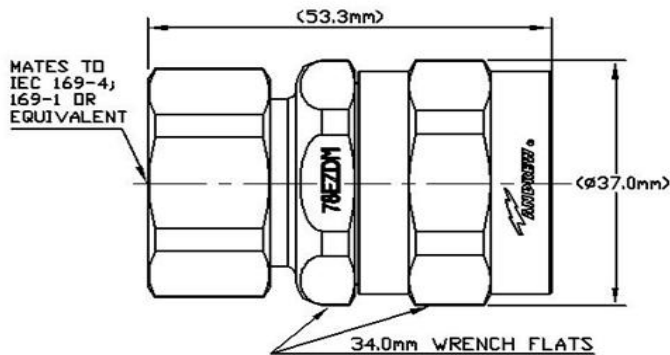


# Synergy Telecom P Ltd.

## DIN(M) FOR 7/8" AL



Synergy Telecom (P) Ltd Synergy Telecom (P) Ltd Synergy Telecom (P) Ltd Synergy Telecom (P) Ltd  
 Synergy Telecom (P) Ltd Synergy Telecom (P) Ltd Synergy Telecom (P) Ltd Synergy Telecom (P) Ltd

### General Specifications

**Interface** 7-16 DIN Male  
**Body Style** Straight  
**Mounting Angle** Straight

### Electrical Specifications

**Connector Impedance** 50 ohm  
**Operating Frequency Band** 0 - 5000 MHz  
**3rd Order IMD, typical** -116 dBm @ 1800 MHz  
**3rd Order IMD Test Method** Two +43 dBm carriers  
**RF Operating Voltage, maximum (vrms)** 1415.00 V

**Peak Power, maximum** 40.00 kW

**Insertion Loss, typical** 0.05 dB

### Mechanical Specifications

**Outer Contact Attachment Method** Clamp  
**Inner Contact Attachment Method** Captivated  
**Outer Contact Plating** Trimetal  
**Inner Contact Plating** Silver

### Dimensions

**Nominal Size** 7/8 in  
**Diameter** 37.21 mm | 1.47 in  
**Length** 53.30 mm | 2.10 in  
**Weight** 169.87 g | 0.37 lb

Synergy Telecom (P) Ltd Synergy Telecom (P) Ltd Synergy Telecom (P) Ltd Synergy Telecom (P) Ltd

13-15 RPS flats, E-block, Vikaspuri, N Delhi-110018, India  
 Phone-91 11 28533349, Mobile-91 98101 38894, Fax -91 11 2853 1435,  
 E-mail : pradeep@rfconnectorhouse.com, Website : <http://www.rfconnector.info/>