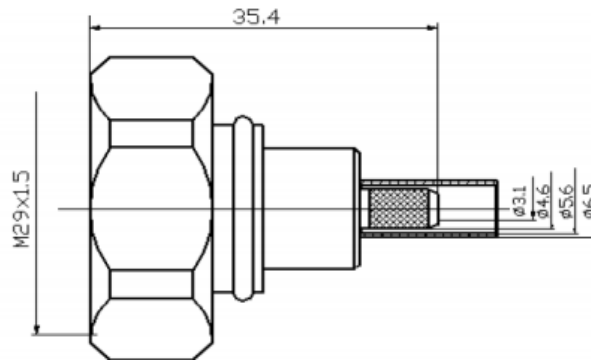


Synergy Telecom P Ltd.

Din Male crimp For LMR 200 Cable



Electrical Specification

Characteristic Impedance	50 ohm
Frequency Range	DC- 7.5 GHz
VSWR	≤ 1.10(0~2.2G) ≤ 1.15(0~3G)
Dielectric strength	≥4000V RMS, at sea level
Dielectric Resistance	≥ 10000 M Ω
Insertion Loss	≤ 0.08dB (@2200MHz)
Center Contact Resistance	≤ 0.4 m Ω
Center Contact Resistance	≤ 0.2 m Ω
RoHS	Compliance

Mechanical

Durability Mating cycle	≥500
Termination cable retention	≥300N
Apply with the electric cable	13/8" Feeder Cable

Material Specification

Connector Parts	Material	Plating
Outer Contact	Brass	CuSnZn
Center Contact	Bronze	Ag
Fastener	Brass	Ni
Dielectric	PTFE	-

Environmental

Temperature Range	- 40°C – +85 °C
-------------------	-----------------

WZ-47 BUDHELLA VILLAGE, VIKASPURI, NEW DELHI – 110018
 PHONE: 011-28533349, MOB: 9810138894/9212558066, FAX: 011-28533349
 EMAIL: info@rfconnector.in, WEBSITE: <http://rfconnector.in/>