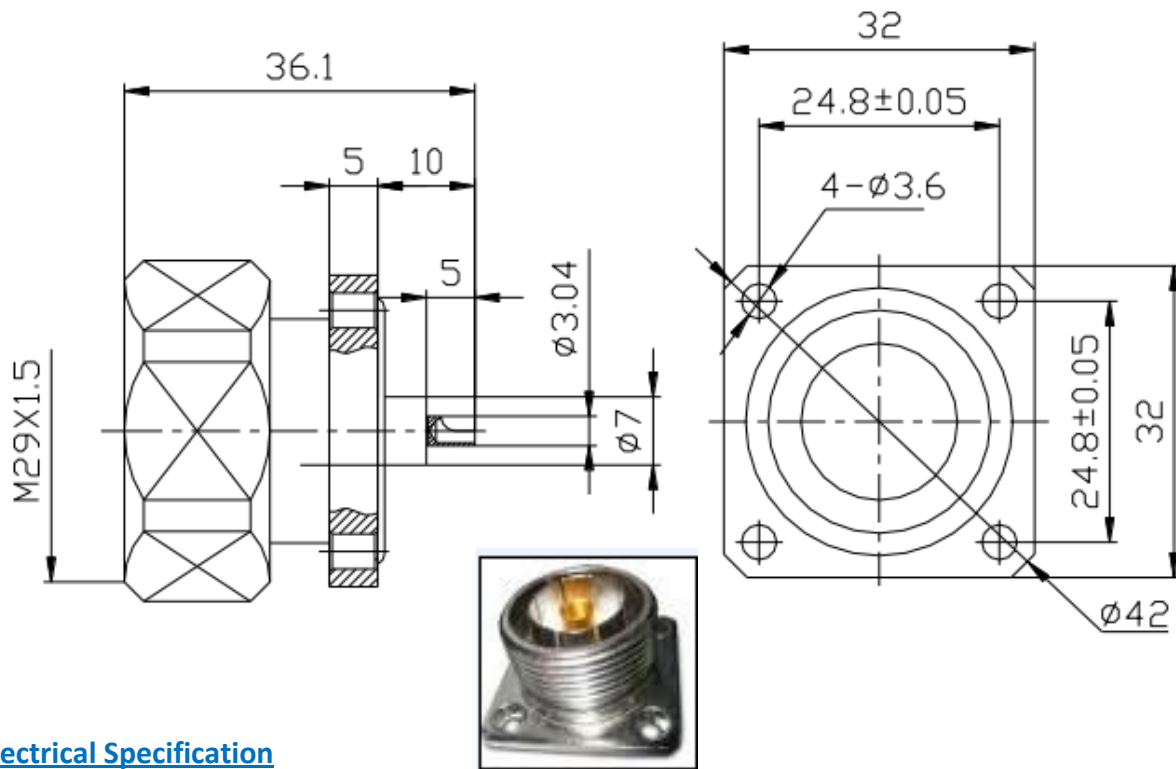


# Synergy Telecom P Ltd.

## DIN Male 4 Hole Panel Mount with Solder



### Electrical Specification

Characteristic Impedance	50 ohm
Frequency Range	DC- 7.5 GHz
VSWR	≤ 1.10(0~2.2G)    ≤ 1.15(0~3G)
Dielectric strength	≥4000V RMS, at sea level
Dielectric Resistance	≥ 10000 M Ω
Insertion Loss	≤ 0.08dB (@2200MHz)
Center Contact Resistance	≤ 0.4 m Ω
Center Contact Resistance	≤ 0.2 m Ω
RoHS	Compliance

### Mechanical

Durability Mating cycle	≥500
Termination cable retention	≥300N
Apply with the electric cable	13/8" Feeder Cable

### Material Specification

**Connector Parts**

Outer Contact  
Center Contact  
Fastener  
Dielectric

**Material**

Brass  
Bronze  
Brass  
PTFE

**Plating**

CuSnZn  
Ag  
Ni  
-

**Environmental****Temperature Range****- 40°C – +85 °C**

**WZ-47 BUDHELLA VILLAGE, VIKASPURI, NEW DELHI – 110018**  
**PHONE: 011-28533349, MOB: 9810138894/9212558066, FAX: 011-28533349**  
**EMAIL: [info@rfconnector.in](mailto:info@rfconnector.in), WEBSITE: <http://rfconnector.in/>**