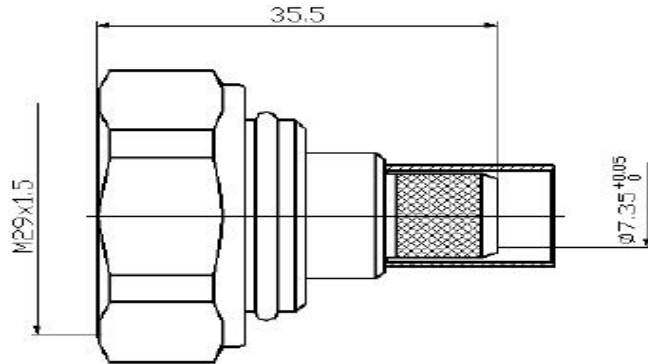


Synergy Telecom P Ltd.

Din Male crimp For LMR 400 Cable



Electrical Specification

Characteristic Impedance	50 ohm
Frequency Range	DC- 7.5 GHz
VSWR	$\leq 1.10(0\sim 2.2G)$ $\leq 1.15(0\sim 3G)$
Dielectric strength	$\geq 4000V$ RMS, at sea level
Dielectric Resistance	$\geq 10000 M \Omega$
Insertion Loss	$\leq 0.08dB$ (@2200MHz)
Center Contact Resistance	$\leq 0.4 m \Omega$
Center Contact Resistance	$\leq 0.2 m \Omega$
RoHS	Compliance

Mechanical

Durability Mating cycle	≥ 500
Termination cable retention	$\geq 300N$
Apply with the electric cable	LMR 400 Cable

Material Specification

Connector Parts	Material	Plating
Outer Contact	Brass	CuSnZn
Center Contact	Bronze	Ag
Fastener	Brass	Ni
Dielectric	PTFE	-

Environmental

Temperature Range	- 40°C – +85 °C
-------------------	-----------------

WZ-47 BUDHELLA VILLAGE, VIKASPURI, NEW DELHI – 110018
PHONE: 011-28533349, MOB: 9810138894/9212558066, FAX: 011-28533349
EMAIL: info@rfconnector.in, WEBSITE: <http://rfconnector.in/>