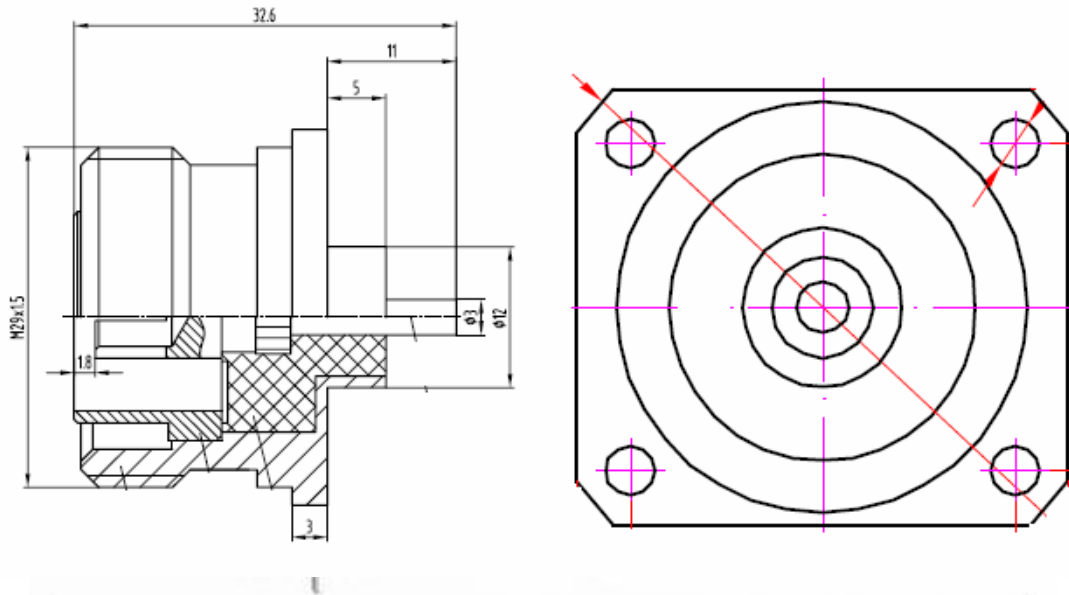


DIN Female 4 Hole With Solder Pot



Interface

According to

IEC 60169-4

Electrical

Characteristic impedance

50 ohm

Frequency range

DC-3GHz

VSWR

≤1.15

Contact resistance

inner conductor: < 0.4mΩ

outer conductor: < 1mΩ

Dielectric withstanding voltage

> 4000V RMS, 50Hz, at sea level

Dielectric resistance

> 10000MΩ

Mechanical

Mating cycles

> 500

Material and plating

	Material	plating
Body	Brass	Ag or Cu-Sn-Zn Tri-Alloy

Insulator	Teflon	-
Center conductor	phosphor bronze	Ag

Environmental

Temperature range

-40°C ~ +85°C