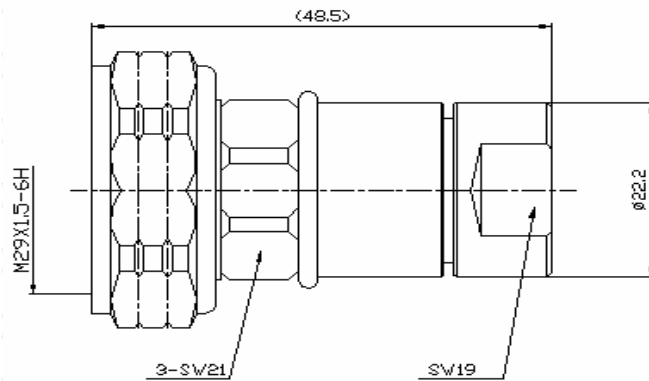


# Synergy Telecom P Ltd.

## 7/16 DIN Male Connector for 1/2" Foam Feeder Cable



### Interface

According to

IEC 60169-4

### Electrical

Characteristic Impedance

50 ohm

Frequency Range

DC-7.5GHz

VSWR

$\leq 1.10 @ DC-3000MHz$

Insertion Loss

$\leq 0.08dB @ 2200MHz$

Dielectric Withstanding Voltage

$\geq 4000V RMS, 50Hz, at sea level$

Dielectric Resistance

$\geq 10000M\Omega$

Contact Resistance

Center Contact  $\leq 0.4m\Omega$

Outer Contact  $\leq 1m\Omega$

### Mechanical

Durability

Mating cycles  $\geq 500$

### Material and plating

Body

Material

Brass

Plating

Tri-Metal

Insulator

PTFE

Center conductor

Phosphor bronze

Ag

Coupling Nut

Brass

Ni

Other Parts

Brass

Ni

Gasket

Silicone Rubber

### Environmental

Temperature Range

$-40^{\circ}C \sim +85^{\circ}C$

Weatherproof Rate

IP 67

RoHS (2002/95/EC)

Compliant