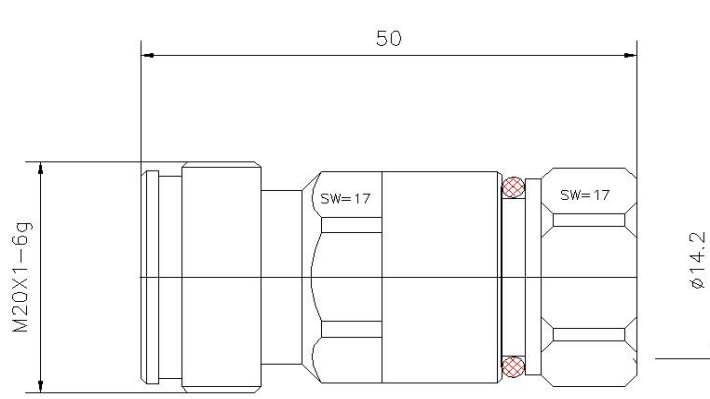


# Synergy Telecom P Ltd.

## Mini DIN 4.3/10 Female Clamp Connector for 1/2" S.F Cable



### Electrical Specification

Characteristic Impedance	50 ohm
Frequency Range	DC- 12 GHz
VSWR	≤1.10@DC-3000MHz
Contact Resistance	Center contact ≤1mΩ Outer contact ≤1mΩ
Dielectric withstanding Voltage	>2500V RMS, 50Hz, At sea Level
Dielectric Resistance	≥5000MΩ
RoHS	Compliance

### Mechanical

Durability Mating	cycle ≥100
-------------------	------------

### Material Specification

	Material	Plating
Body	Brass	Tri - alloy
Insulator	PTFE	
Center Conductor	Phosphor Copper	Ag

### Environmental

Temperature Range	- 40°C – +85 °C
-------------------	-----------------