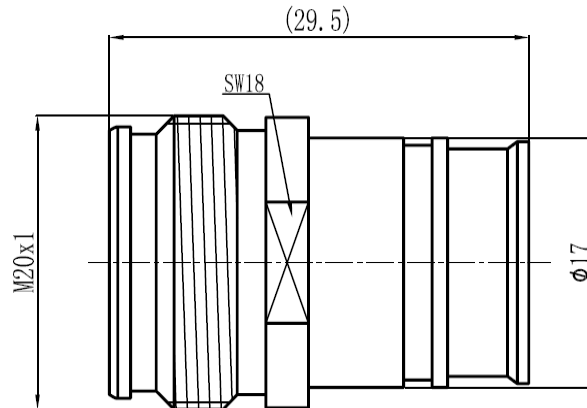


## 4.3/10 Female Connector for 1/2 Flexible cable



### 1. Material and Plating

Connector Parts	Material	Plating
Outer Conductor	Brass	Tri - Metal(CuSnZn)
Inner conductor	Brass	Ag
Nut	Brass	Ni
Insulator	PTFE	
Gasket	Silicone	

### 3. Electrical Data

Impedance	50Ω
Frequency	DC to 6 GHz
VSWR	≤1.15 (DC to 3.0GHz)
Insertion loss	≤0.05xSqrt(F GHz)dB
Insulation resistance	≥ 5000 MΩ
Outer contact resistance	≤ 1.0mΩ
Center contact resistance	≤ 1.0mΩ
Test voltage	2500V
Intermodulation(3rd order),2X20W	≤-160dBc(900MHz,1800MHz)

### 2. Mechanical Data

Matching cable	1/2" flex
Mating Cycle	100
Recommended torque	5N m
Termination cable retention	≥500N

### 4. Environmental Specification

Temperature	-45 to +85 deg.C
ROHS	Compliance