

Synergy Telecom P Ltd.

BNC Triax Straight Male Plug, 2 Lug Clamp

Synergy Telecom (P) Ltd Synergy Telecom (P) Ltd Synergy Telecom (P) Ltd Synergy Telecom (P) Ltd

REV.			INITIAL

Synergy Telecom (P) Ltd Synergy Telecom (P) Ltd Synergy Telecom (P) Ltd Synergy Telecom (P) Ltd

Synergy Telecom (P) Ltd Synergy Telecom (P) Ltd Synergy Telecom (P) Ltd **RoHS Compliant**

Synergy Telecom (P) Ltd Synergy Telecom (P) Ltd Synergy Telecom (P) Ltd Synergy Telecom (P) Ltd

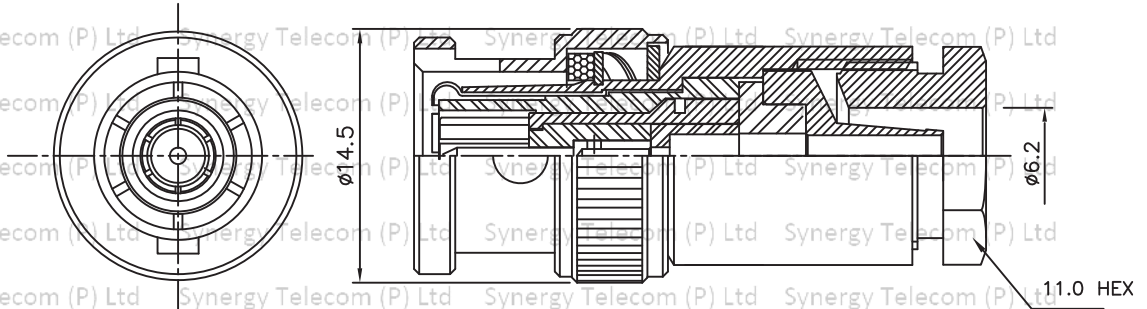
Synergy Telecom (P) Ltd Synergy Telecom (P) Ltd Synergy Telecom (P) Ltd Synergy Telecom (P) Ltd

Synergy Telecom (P) Ltd Synergy Telecom (P) Ltd Synergy Telecom (P) Ltd Synergy Telecom (P) Ltd

Synergy Telecom (P) Ltd Synergy Telecom (P) Ltd Synergy Telecom (P) Ltd Synergy Telecom (P) Ltd

Synergy Telecom (P) Ltd Synergy Telecom (P) Ltd Synergy Telecom (P) Ltd Synergy Telecom (P) Ltd

Synergy Telecom (P) Ltd Synergy Telecom (P) Ltd Synergy Telecom (P) Ltd Synergy Telecom (P) Ltd



Synergy Telecom (P) Ltd Synergy Telecom (P) Ltd Synergy Telecom (P) Ltd Synergy Telecom (P) Ltd

Electrical Data

Synergy Telecom (P) Ltd Synergy Telecom (P) Ltd Synergy Telecom (P) Ltd Synergy Telecom (P) Ltd

Impedance Non Constant

Synergy Telecom (P) Ltd Synergy Telecom (P) Ltd Synergy Telecom (P) Ltd Synergy Telecom (P) Ltd

Voltage Rating 500 VRMS

Synergy Telecom (P) Ltd Synergy Telecom (P) Ltd Synergy Telecom (P) Ltd Synergy Telecom (P) Ltd

Insulation Resistance 5,000 MΩ

Synergy Telecom (P) Ltd Synergy Telecom (P) Ltd Synergy Telecom (P) Ltd Synergy Telecom (P) Ltd

Synergy Telecom (P) Ltd Synergy Telecom (P) Ltd Synergy Telecom (P) Ltd Synergy Telecom (P) Ltd

Mechanical Data

Synergy Telecom (P) Ltd Synergy Telecom (P) Ltd Synergy Telecom (P) Ltd Synergy Telecom (P) Ltd

Temperature Range: -55 °C - 155 °C

Drawing not to scale. Dimensions for reference only

Units: mm

Synergy Telecom (P) Ltd Synergy Telecom (P) Ltd Synergy Telecom (P) Ltd Synergy Telecom (P) Ltd

Synergy Telecom (P) Ltd Synergy Telecom (P) Ltd DESCRIPTION **BNC Triax Straight Male Plug, 2 Lug Clamp**

Synergy Telecom (P) Ltd Synergy Telecom (P) Ltd Synergy Telecom (P) Ltd Synergy Telecom (P) Ltd

Synergy Telecom (P) Ltd Synergy Telecom (P) Ltd Synergy Telecom (P) Ltd Synergy Telecom (P) Ltd

Component **Material** **Plating**

Synergy Telecom (P) Ltd Synergy Telecom (P) Ltd Synergy Telecom (P) Ltd Synergy Telecom (P) Ltd

Body, Nut, Coupling Brass Nickel

Synergy Telecom (P) Ltd Synergy Telecom (P) Ltd Synergy Telecom (P) Ltd Synergy Telecom (P) Ltd

Outer Contact BeCu Nickel

Synergy Telecom (P) Ltd Synergy Telecom (P) Ltd Synergy Telecom (P) Ltd Synergy Telecom (P) Ltd

Middle Contact BeCu Gold

Synergy Telecom (P) Ltd Synergy Telecom (P) Ltd Synergy Telecom (P) Ltd Synergy Telecom (P) Ltd

Center Contact Brass Gold

Synergy Telecom (P) Ltd Synergy Telecom (P) Ltd Synergy Telecom (P) Ltd Synergy Telecom (P) Ltd

Insulator PTFE

Synergy Telecom (P) Ltd Synergy Telecom (P) Ltd Synergy Telecom (P) Ltd Synergy Telecom (P) Ltd

Synergy Telecom (P) Ltd Synergy Telecom (P) Ltd Synergy Telecom (P) Ltd Synergy Telecom (P) Ltd

Synergy Telecom (P) Ltd Synergy Telecom (P) Ltd Synergy Telecom (P) Ltd Synergy Telecom (P) Ltd

Synergy Telecom (P) Ltd Synergy Telecom (P) Ltd Synergy Telecom (P) Ltd Synergy Telecom (P) Ltd