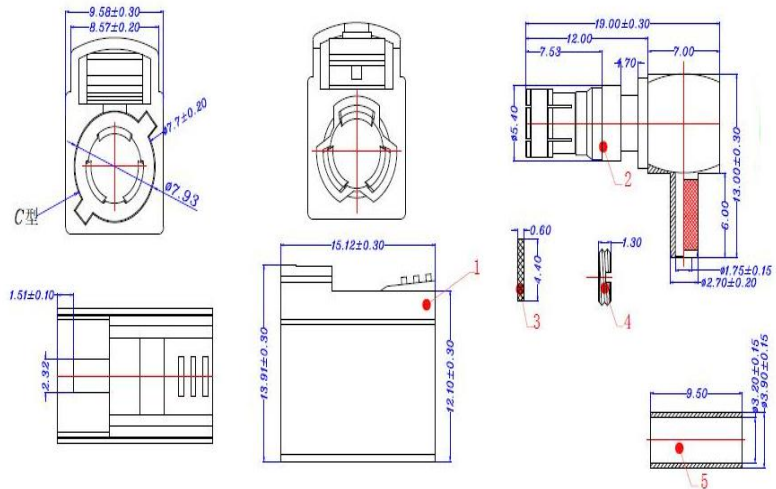


SYNERGY TELECOM PVT. LTD

(Fakra SMB male (Plug) Right Angle Crimp Connector For RG174 Cable)



Electrical

Characteristic Impedance	50 ohm
Typical Frequency Range	DC-4GHz
VSWR	≤1.35@DC-1GHz
Dielectric Withstanding Voltage	1000V RMS,50Hz,at sea level
Working Voltage	335V RMS,50Hz,at sea level
Dielectric Resistance	≥1000MΩ
Contact Resistance	Center Contact ≤6mΩ Outer Contact ≤1mΩ

Mechanical

Durability	Mating Cycles ≥500
------------	--------------------

Material and Plating

	Material	Plating
Body	Brass	Ni
Insulator	PTFE(Teflon)	—
Center conductor	Phosphor copper	Au
Resilient contact	Beryllium bronze	Ni
Ferrule	Annealed copper	Ni
Housing	Nylon(PA66)	—
Lock	PBT	—

Environmental

Operating Temperature Range	-40°C ~ +85°C
RoHs Compliant	Yes

Notes:Colors: A(black),B(white),C(blue),D(wine red),E(green),F(brown),G(grey),H(purplish red)
I(yellow),K(coffee yellow),L(kelly),M(orange pink),N(light green),Z(water blue)