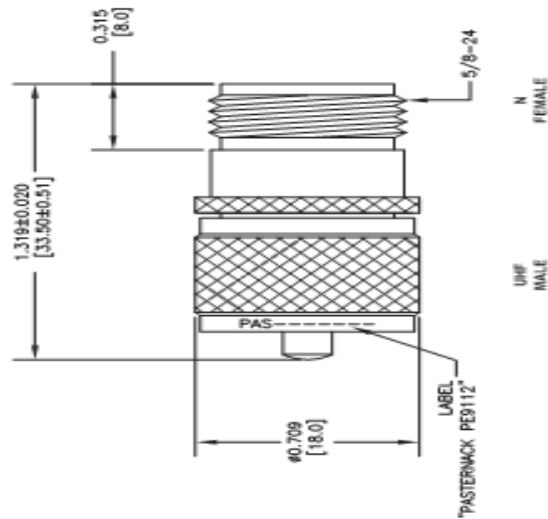


Synergy Telecom P Ltd.

N(f)-UHF(m) A D A P T O R

Part No-ST01NUHFFM006



Electrical:

Characteristic Impedance	50 ohm
Frequency Range	DC- 6 GHz
VSWR	≤1.15@DC-3 GHz
Insertion Loss	≤0.10 dB

Mechanical:

Durability	Mating Cycles ≥500
------------	--------------------

Material and Plating:

	Material	Plating
Body	Brass	Ni
Insulator	PTFE(Teflon)	-
Center conductor	Phosphor Copper	Au

Environmental:

Operating Temperature Range	-40°C ~ +85°C
RoHs	Compliant
Weatherproof Rate	IP 67