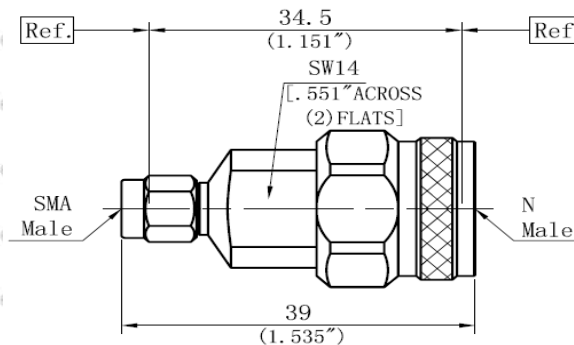


# Synergy Telecom P Ltd.

## SMA M to N M Adaptor



### Electrical Specification

**Characteristic Impedance**

**50 ohm**

**Frequency Range**

**DC-18 GHz**

**VSWR**

**≤ 1.15**

**Insertion Loss**

**≤ 0.048dB**

**Voltage Rating**

**500 V Max**

**Dielectric With Stand Voltage**

**1500 V Min**

**Insulation Resistance**

**5000 M Ω**

**Weight**

**40~45 gm**

**RoHS**

**Compliance**

### Mechanical

**Durability Mating cycle**

**≥500**

**Termination cable retention**

**≥300N**

### Material Specification

**Connector Parts**

**Material**

**Plating**

**Outer Contact**

**Stainless Steel**

**CuSnZn**

**Center Contact**

**Beryllium Copper**

**Ag**

**Fastener**

**Brass**

**Ni**

**Dielectric**

**PEI & PTFE**

### Environmental

**Temperature Range**

**-55°C +155°C**

13-15 RPS flats, E-block, VIKASPURI, N DELHI-110018, INDIA  
 Phone-91 11 28533349, Mobile-91 98101 38894, Fax -91 11 2853 1435,  
 E-mail : pradeep@rfconnectorhouse.com, Website : <http://www.rfconnector.info/>