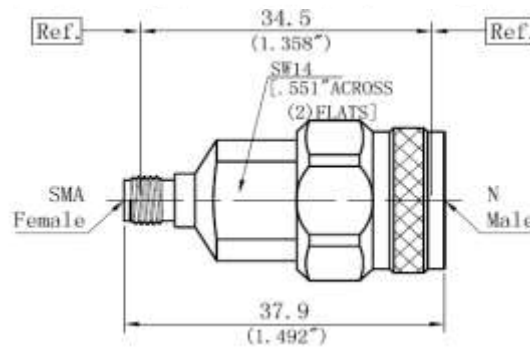


Synergy Telecom P Ltd.

SMA F to N M Adaptor



Electrical Specification

Characteristic Impedance	50 ohm
Frequency Range	DC- 18 GHz
VSWR	≤ 1.15
Insertion Loss	≤ 0.048dB
Voltage Rating	500 V Max
Dielectric With Stand Voltage	1500 V Min
Insulation Resistance	5000 M.Ω
Weight	40~45 grm
ROHS	Compliance

Mechanical

Durability Mating cycle	≥500
Termination cable retention	≥300N

Material Specification

Connector Parts	Material	Plating
Outer Contact	Stainless Steel	CuSnZn
Center Contact	Beryllium Copper	Ag
Fastener	Brass	Ni
Dielectric	PEI & PTFE	

Environmental

Temperature Range	-55°C +155°C
--------------------------	---------------------

13-15 RPS flats, E-block, Vikaspuri, N Delhi-110018, India
 Phone-91 11 28533349, Mobile-91 98101 38894, Fax -91 11 2853 1435,
 E-mail : pradeep@rfconnectorhouse.com, Website : http://www.rfconnector.info/