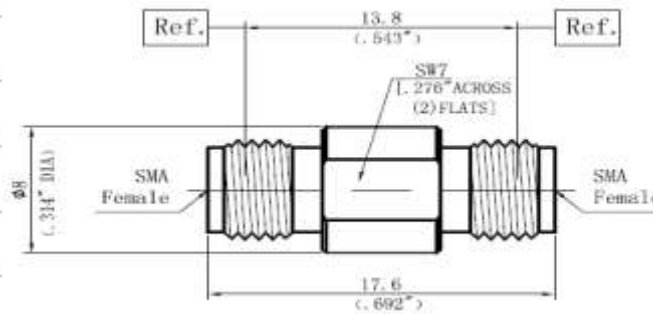


Synergy Telecom P Ltd.

SMA F to SMA F Adaptor



Electrical Specification

Characteristic Impedance

50 ohm

Frequency Range

DC-18 GHz

VSWR

≤ 1.15

Insertion Loss

≤ 0.10dB

Voltage Rating

500 V Max

Dielectric With Stand Voltage

1000 V Min

Insulation Resistance

5000 M Ω

Weight

35~40 gm

RoHS

Compliance

Mechanical

Durability Mating cycle

≥500

Termination cable retention

≥300N

Material Specification

Connector Parts

Material

Plating

Outer Contact

Stainless Steel

CuSnZn

Center Contact

Beryllium Copper

Ag

Fastener

Brass

Ni

Dielectric

PEI & PTFE

Environmental

Temperature Range

-55°C +155°C

13-15 RPS flats, E-block, Vikaspuri, N Delhi-110018, India
 Phone-91 11 28533349, Mobile-91 98101 38894, Fax -91 11 2853 1435,
 E-mail : pradeep@rfconnectorhouse.com, Website : <http://www.rfconnector.info/>