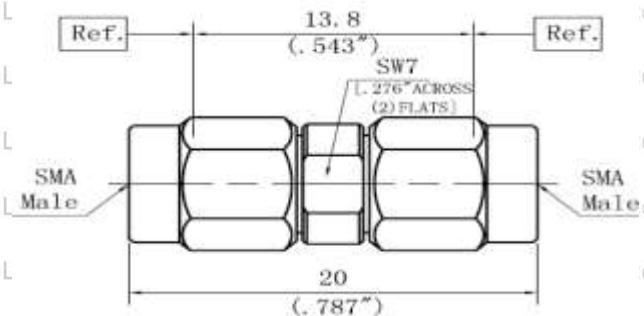


# Synergy Telecom P Ltd.

## SMA M to SMA M Adaptor



### Electrical Specification

**Characteristic Impedance**

50 ohm

**Frequency Range**

DC- 27 GHz

**VSWR**

≤ 1.15

**Insertion Loss**

≤ 0.10dB

**Voltage Rating**

500 V Max

**Dielectric With Stand Voltage**

1000 V Min

**Insulation Resistance**

5000 M Ω

**Weight**

40 grm

**RoHS**

Compliance

### Mechanical

**Durability Mating cycle**

≥500

**Termination cable retention**

≥300N

### Material Specification

**Connector Parts**

**Material**

**Plating**

**Outer Contact**

Stainless Steel

Gold over Nickel

**Center Contact**

Beryllium Copper

Ag

**Fastener**

Brass

Ni

**Dielectric**

PEI & PTFE

-

### Environmental

**Temperature Range**

- 55°C +155°C

13-15 RPS flats, E-block, Vikaspuri, N Delhi-110018, India  
 Phone-91 11 28533349, Mobile-91 98101 38894, Fax -91 11 2853 1435,  
 E-mail : pradeep@rfconnectorhouse.com, Website : <http://www.rfconnector.info/>