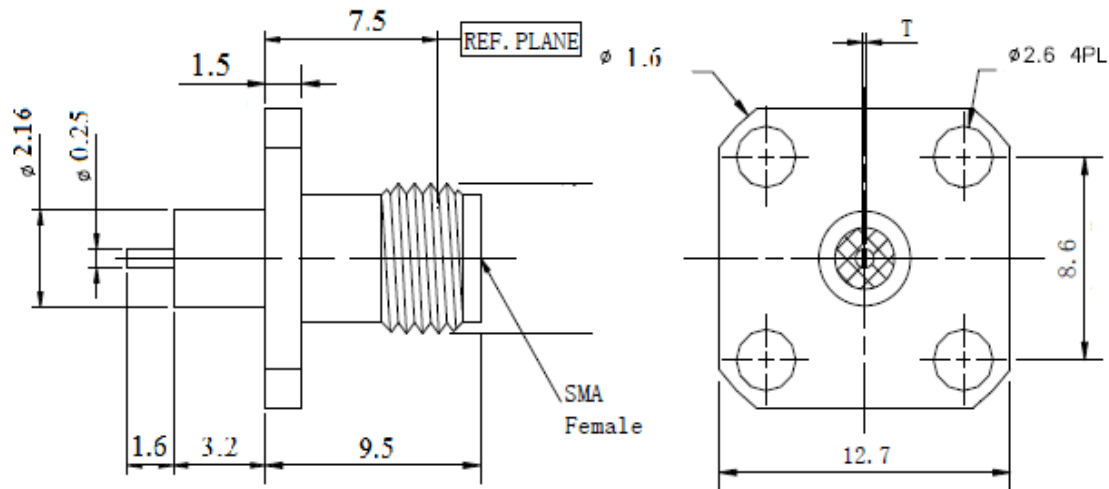


Synergy Telecom P Ltd.

SMA F 4 HOLE CONNECTOR

Part No. *ST02SMAF4H027*



Electrical:

Characteristic Impedance	50 ohms
Frequency Range	DC-27 Ghz
VSWR	$1.06 + 0.002 * f$ (GHz)
Dielectric Withstanding Voltage	1000 Veff (Min.)
Insulation Resistance	5000 Mega Ohms
Voltage Rating	500 Volts Veff (Max)
Insertion Loss (Max.)	$(0.07 * \text{SQRT}(f(\text{GHz})))$ dB
Mating Life	500 Cycles (Min.)

Material and Plating:

	Material	Plating
Body	Stainless Steel	passivated
Insulator	PTFE	-
Center Contact	Beryllium Copper	Gold (Au)

Environmental:

Operating Temperature Range	-55°C ~ +165°C
RoHs	Compliant

WZ-47 BUDHELLA VILLAGE, VIKASPURI, NEW DELHI – 110018

PHONE: 011-28533349, MOB: 9810138894/9212558066, FAX: 011-28533349

EMAIL: info@rfconnector.in, WEBSITE: <http://rfconnector.in/>