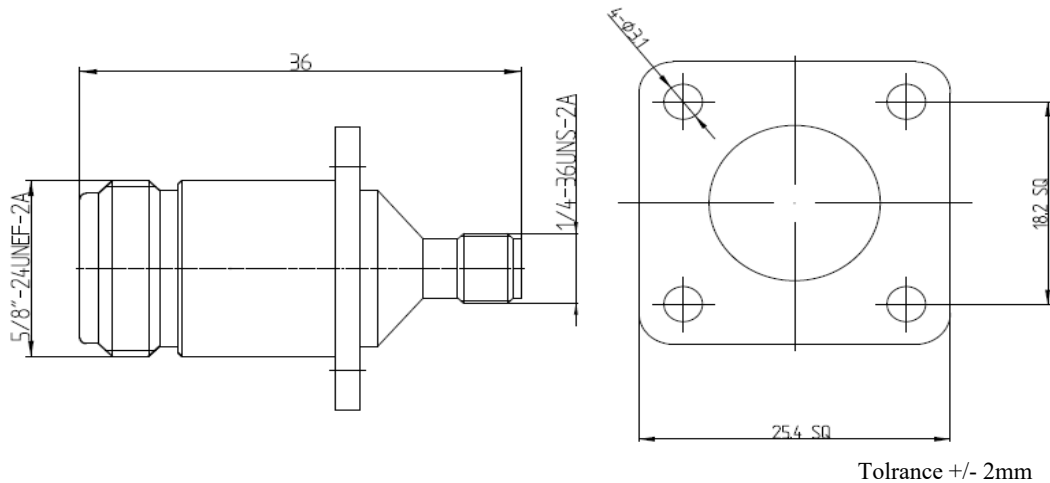


# Synergy Telecom P Ltd.

Part No- ST02NSFF4H018

## N FEMALE TO SMA FEMALE 4H ADPATOR



### Electrical:

|  |                          |
|--|--------------------------|
| Characteristic Impedance               | 50 ohm                   |
| Frequency Range                        | DC-18 Ghz                |
| VSWR                                   | ≤1.15@DC-18GHz           |
| Insertion Loss                         | ≤0.3 dB                  |
| Dielectric withstanding Voltage        | ≥1000V Vrms at Sea Level |
| RF high potential withstanding Voltage | ≥500V Vrms at 5Mhz       |
| Insulation Resistance                  | ≥3000 MOhm               |

### Mechanical:

|            |                    |
|------------|--------------------|
| Durability | Mating Cycles ≥500 |
|------------|--------------------|

### Material and Plating:

|                  | Material         | Plating               |
|------------------|------------------|-----------------------|
| Body             | Stainless Steel  | Polished & Passivated |
| Insulator        | PEI              |                       |
| Center conductor | Beryllium Copper | Gold                  |

### Environmental:

|                             |                |
|-----------------------------|----------------|
| Operating Temperature Range | -55°C ~ +165°C |
| RoHs                        | Compliant      |

WZ-47 BUDHELLA VILLAGE ,VIKASPURI NEW DELHI-110018  
Phone: 011-28533349, Mob: 9810138894/9212558066, Fax: 011-28533349  
Email:- info@rfconnector.in, Website:- www.rfconnector.in