

Synergy Telecom P Ltd.

Coaxial Fixed Attenuator

RF Fixed attenuator

RF Fixed attenuator is a device used to reduce power levels of a signal by a fixed amount with little or no reflections.

Applications

- Extending the dynamic range of measuring equipment
- Impedance matching to reduce the effects of improper input/output terminations
- Test setups

Important characteristics

- Attenuation and accuracy
- Impedance
- VSWR
- Flatness over a specified frequency range
- Average power
- Dimension

RF One provides fixed attenuators with connector (**SMA, N type, F type**) models, coming in both 50-ohm and 75-ohm, ranging from 1 to 60 dB spanning DC to 18GHz. Custom design is available.

Synergy Telecom P Ltd.

Coaxial Fixed Attenuator

SMA, 2W



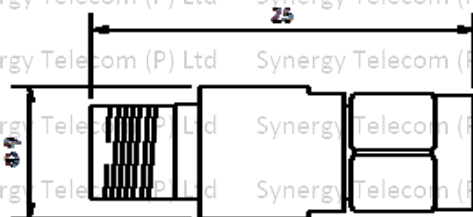
Specifications

- DC-6GHz
- 1-60dB
- SMA connector stainless steel
- Power Rating:2W@25-70°C
- Operating Temperature:-55-125°C
- Nominal Impedance:50 ohms

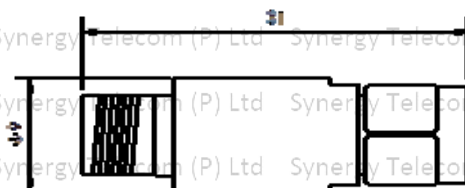
Frequently Ordered Models

RFH Series, DC-6GHz,SMA,2W

Model	Frequency Range		Attenuation(dB)			VSWR (:1)		Avg.	Size
	Range		Nominal	Tolerance(±_dB)		VSWR (:1)		Power	Size
	Number	(GHz)							
	Start	Stop		DC-4GHz	4-6GHz	DC-4GHz	4-6GHz	(W)	(mm)
RFH0601S2	DC	6	1	0.4	0.5	1.15	1.2	2	φ9*26
RFH0602S2	DC	6	2	0.4	0.5	1.15	1.2	2	φ9*26
RFH0603S2	DC	6	3	0.4	0.5	1.15	1.2	2	φ9*26
RFH0605S2	DC	6	5	0.4	0.5	1.15	1.2	2	φ9*26
RFH0606S2	DC	6	6	0.4	0.5	1.15	1.2	2	φ9*26
RFH0610S2	DC	6	10	0.4	0.5	1.15	1.2	2	φ9*26
RFH0615S2	DC	6	15	0.4	0.5	1.15	1.2	2	φ9*26
RFH0620S2	DC	6	20	0.4	0.5	1.15	1.2	2	φ9*26
RFH0630S2	DC	6	30	0.5	0.6	1.15	1.2	2	φ9*26
RFH0640S2	DC	6	40	0.6	0.7	1.15	1.2	2	φ9*31
RFH0660S2	DC	6	60	0.7	0.9	1.15	1.2	2	φ9*31



(B) 1-30dB



(C) 30-60dB

Synergy Telecom P Ltd.

Coaxial Fixed Attenuator



N Type, 2W

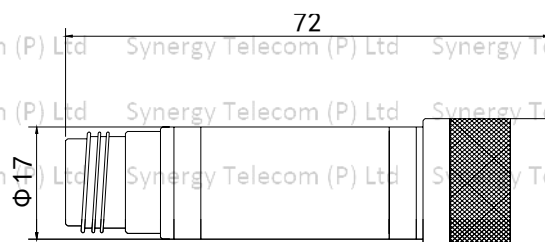
Specifications

- DC-6GHz
- Attenuation values: 1-40dB
- N type, Ternary alloy plated Copper
- Nominal Impedance:50 ohms
- Power Rating:2W@25-70°C
- Operating Temperature:-55-125°C

Frequently Ordered Models

RFH Series, DC-6GHz, N Type, 2W

Model Number	Frequency Range (GHz)		Attenuation(dB)			VSWR (:1)		Avg. Power (W)	Size (mm)
	Start	Stop	Nominal	Tolerance(±_dB)		DC-4GHz	4-6GHz		
	DC	6		DC-4GHz	4-6GHz	DC-4GHz	4-6GHz	(W)	(mm)
RFH0601N2	DC	6	1	0.4	0.5	1.15	1.2	2	φ17*72
RFH0602N2	DC	6	2	0.4	0.5	1.15	1.2	2	φ17*72
RFH0603N2	DC	6	3	0.4	0.5	1.15	1.2	2	φ17*72
RFH0605N2	DC	6	5	0.4	0.5	1.15	1.2	2	φ17*72
RFH0606N2	DC	6	6	0.4	0.5	1.15	1.2	2	φ17*72
RFH0610N2	DC	6	10	0.4	0.5	1.15	1.2	2	φ17*72
RFH0615N2	DC	6	15	0.4	0.5	1.15	1.2	2	φ17*72
RFH0620N2	DC	6	20	0.4	0.5	1.15	1.2	2	φ17*72
RFH0630N2	DC	6	30	0.5	0.6	1.15	1.2	2	φ17*72
RFH0640N2	DC	6	40	0.6	0.7	1.15	1.2	2	φ17*72
RFH0660N2	DC	6	60	0.7	0.9	1.15	1.2	2	φ17*72



(A)

Synergy Telecom P Ltd.

Coaxial Fixed Attenuator



SMA, 5W

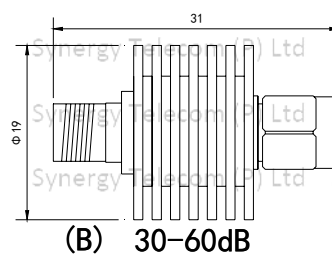
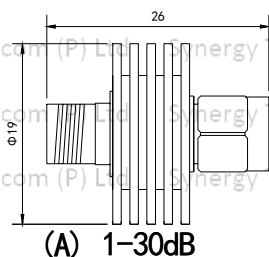
Specifications

- Options of DC-6GHz
- Attenuation values: 1-60dB
- Nominal Impedance:50 ohms
- Power Rating:5W@25-70°C
- Operating Temperature:-55-125°C

Frequently Ordered Models

RFH Series, DC-6GHz,SMA,5W

Model Number	Frequency Range (GHz)		Attenuation(dB)			VSWR (:1)		Avg. Power (W)	Size (mm)
	Start	Stop	Nominal	Tolerance(±dB)		DC-4GHz	4-6GHz		
				DC-4GHz	4-6GHz				
RFH0601S5	DC	6	1	0.4	0.5	1.15	1.2	5	φ18*26
RFH0602S5	DC	6	2	0.4	0.5	1.15	1.2	5	φ18*26
RFH0603S5	DC	6	3	0.4	0.5	1.15	1.2	5	φ18*26
RFH0605S5	DC	6	5	0.4	0.5	1.15	1.2	5	φ18*26
RFH0606S5	DC	6	6	0.4	0.5	1.15	1.2	5	φ18*26
RFH0610S5	DC	6	10	0.4	0.5	1.15	1.2	5	φ18*26
RFH0615S5	DC	6	15	0.4	0.5	1.15	1.2	5	φ18*26
RFH0620S5	DC	6	20	0.4	0.5	1.15	1.2	5	φ18*26
RFH0630S5	DC	6	30	0.5	0.6	1.15	1.2	5	φ18*26
RFH0640S5	DC	6	40	0.6	0.7	1.15	1.2	5	φ18*31
RFH0660S5	DC	6	60	0.7	0.9	1.15	1.2	5	φ18*31



Synergy Telecom P Ltd.

Coaxial Fixed Attenuator



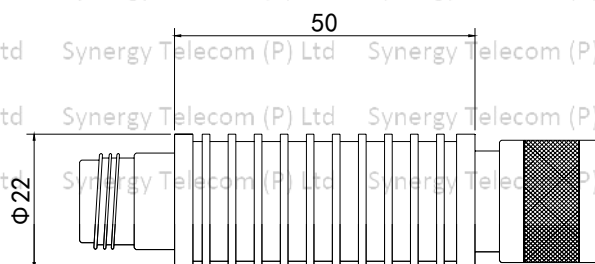
N Type, 5W

Specifications

- Options of DC-6GHz
- Attenuation values: 1-40dB
- N type, Ternary alloy plated Copper
- Nominal Impedance:50 ohms
- Power Rating:5W@25-70°C
- Operating Temperature:-55-125°C

Frequently Ordered Models

RFH Series, DC-6GHz, N type, 5W									
Model Number	Frequency Range (GHz)		Attenuation(dB)			VSWR (:1)		Avg. Power (W)	Size (mm)
	Start	Stop	Nominal	Tolerance(±_dB)		DC-4GHz	4-6GHz	Power	
				DC-4GHz	4-6GHz				
RFH0601N5	DC	6	1	0.4	0.5	1.15	1.2	5	φ22*50
RFH0602N5	DC	6	2	0.4	0.5	1.15	1.2	5	φ22*50
RFH0603N5	DC	6	3	0.4	0.5	1.15	1.2	5	φ22*50
RFH0605N5	DC	6	5	0.4	0.5	1.15	1.2	5	φ22*50
RFH0606N5	DC	6	6	0.4	0.5	1.15	1.2	5	φ22*50
RFH0610N5	DC	6	10	0.4	0.5	1.15	1.2	5	φ22*50
RFH0615N5	DC	6	15	0.4	0.5	1.15	1.2	5	φ22*50
RFH0620N5	DC	6	20	0.4	0.5	1.15	1.2	5	φ22*50
RFH0630N5	DC	6	30	0.5	0.6	1.15	1.2	5	φ22*50
RFH0640N5	DC	6	40	0.6	0.7	1.15	1.2	5	φ22*50



(A)

Synergy Telecom P Ltd.

Coaxial Fixed Attenuator

DC-6GHz, SMA (RF series)



Specifications

- DC-6GHz
- Nominal Impedance:50 ohms
- Power Rating:2W@25-70°C
- Operating Temperature:-55-115°C
- Attenuation values: 1-30dB

Features

- Low cost, high performance
- High attenuation accuracy,flat frequency response
- Stainless steel SMA connector
- Contacts:gold plated beryllium Copper(female), gold plated brass(male)

Synergy Telecom P Ltd.

Synergy Telecom (P) Ltd Synergy Telecom (P) Ltd Synergy Telecom (P) Ltd **Coaxial Fixed Attenuator** Synergy Telecom (P) Ltd

Synergy Telecom (P) Ltd Synergy Telecom (P) Ltd Synergy Telecom (P) Ltd Synergy Telecom (P) Ltd

Specifications for RF06XXS2

Synergy Telecom (P) Ltd Synergy Telecom (P) Ltd Synergy Telecom (P) Ltd Synergy Telecom (P) Ltd

Model Number	Frequency Range		Attenuation(dB)			VSWR (:1)		Avg. Power (W)	SIZE (mm)
	(GHz)		Nom.	Tolerance(±_dB)		max			
	Start	Stop		DC-3GHz	3-6GHz	DC-3GHz	3-6GHz		
RF0601S2	DC	6	1	0.3	0.8	1.2	1.5	2	Φ9.40×30
RF0602S2	DC	6	2	0.3	0.5	1.2	1.5	2	Φ9.40×30
RF0603S2	DC	6	3	0.5	0.5	1.2	1.3	2	Φ9.40×30
RF0605S2	DC	6	5	0.5	0.5	1.2	1.3	2	Φ9.40×30
RF0606S2	DC	6	6	0.5	0.5	1.2	1.3	2	Φ9.40×30
RF0610S2	DC	6	10	0.5	0.5	1.2	1.3	2	Φ9.40×30
RF0615S2	DC	6	15	0.5	0.5	1.2	1.3	2	Φ9.40×30
RF0620S2	DC	6	20	0.5	0.5	1.2	1.3	2	Φ9.40×30
RF0630S2	DC	6	30	0.5	0.7	1.2	1.3	2	Φ9.40×30

Synergy Telecom (P) Ltd Synergy Telecom (P) Ltd Synergy Telecom (P) Ltd Synergy Telecom (P) Ltd

Syner **Drawing:** Synergy Telecom (P) Ltd Synergy Telecom (P) Ltd Synergy Telecom (P) Ltd

Synergy Telecom (P) Ltd

gy Telecom (P) Ltd

Synergy Telecom (P) Ltd

gy Telecom (P) Ltd

Synergy Telecom (P) Ltd

gy Telecom (P) Ltd

Synergy Telecom (P) Ltd

gy Telecom (P) Ltd

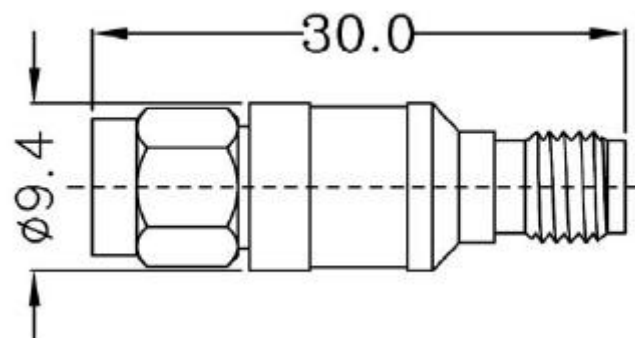
Synergy Telecom (P) Ltd

gy Telecom (P) Ltd

Synergy Telecom (P) Ltd

gy Telecom (P) Ltd

Synergy Telecom (P) Ltd



Synergy Telecom (P) Ltd

gy Telecom (P) Ltd

Synergy Telecom (P) Ltd

Synergy Telecom (P) Ltd (Unit: mm) Synergy Telecom (P) Ltd

gy Telecom (P) Ltd

Synergy Telecom (P) Ltd

gy Telecom (P) Ltd

Synergy Telecom (P) Ltd

gy Telecom (P) Ltd

Synergy Telecom (P) Ltd

gy Telecom (P) Ltd

Synergy Telecom P Ltd.

Coaxial Fixed Attenuator

DC-6GHz, SMA

(RF series, Miniature)



Specifications

- DC-6GHz
- Nominal Impedance:50 ohms
- Power Rating:2W@25-70°C
- Operating Temperature:-55-115°C
- Attenuation values: 1-30dB

Features

- Low cost, high performance
- High attenuation accuracy,flat frequency response
- Stainless steel SMA connector
- Contacts: gold plated phosphor bronze (female) , gold plated brass(male)

Synergy Telecom P Ltd.

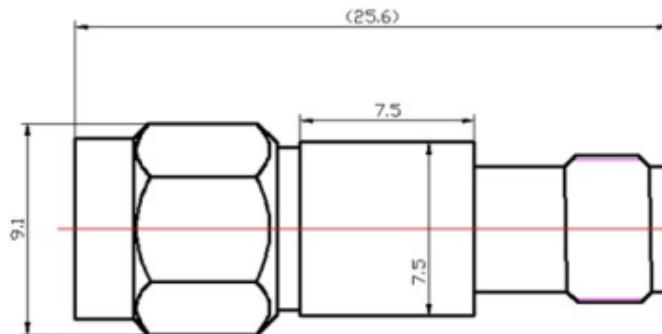
Coaxial Fixed Attenuator

Specifications for RF06XXS2M*

Model Number	Frequency Range		Attenuation(dB)			VSWR (:1) max		Avg. Power (W)	SIZE (mm)
	(GHz)		Nom.	Tolerance(\pm _dB)		DC-3GHz	3-6GHz		
	Start	Stop		DC-3GHz	3-6GHz				
RF0601S2M	DC	6	1	0.3	0.8	1.2	1.5	2	ϕ 7.5*25.6
RF0602S2M	DC	6	2	0.3	0.5	1.2	1.5	2	ϕ 7.5*25.6
RF0603S2M	DC	6	3	0.5	0.5	1.2	1.3	2	ϕ 7.5*25.6
RF0605S2M	DC	6	5	0.5	0.5	1.2	1.3	2	ϕ 7.5*25.6
RF0606S2M	DC	6	6	0.5	0.5	1.2	1.3	2	ϕ 7.5*25.6
RF0610S2M	DC	6	10	0.5	0.5	1.2	1.3	2	ϕ 7.5*25.6
RF0615S2M	DC	6	15	0.5	0.5	1.2	1.3	2	ϕ 7.5*25.6
RF0620S2M	DC	6	20	0.5	0.5	1.2	1.3	2	ϕ 7.5*25.6
RF0630S2M	DC	6	30	0.5	0.7	1.2	1.3	2	ϕ 7.5*25.6

*M means miniature.

Drawing:



(Unit: mm)

Synergy Telecom P Ltd.

Synergy Telecom (P) Ltd Synergy Telecom (P) Ltd Synergy Telecom (P) Ltd **Step Attenuator** (P) Ltd

Synergy Telecom (P) Ltd Synergy Telecom (P) Ltd Synergy Telecom (P) Ltd **Single Rotary,DC-3GHz** (P) Ltd

(P) Ltd Synergy Telecom (P) Ltd Synergy Telecom (P) Ltd



Specifications

●Frequency range: DC-3GHz

●0-10dB, in 0/1/2/3/4/5/6/7/8/9/10 (dB)

●Avg Power: 2W

●Impedance: 50 ohm

●SMA Connector

●Operating Temperature: -40°C ~ +70°C

Synergy Telecom (P) Ltd Synergy Telecom (P) Ltd

Synergy Telecom (P) Ltd Synergy Telecom (P) Ltd Synergy Telecom (P) Ltd Synergy Telecom (P) Ltd

Synergy Telecom (P) Ltd Synergy Telecom (P) Ltd Synergy Telecom (P) Ltd Synergy Telecom (P) Ltd

Synergy Telecom (P) Ltd Synergy Telecom (P) Ltd Synergy Telecom (P) Ltd Synergy Telecom (P) Ltd

Synergy Telecom (P) Ltd Synergy Telecom (P) Ltd Synergy Telecom (P) Ltd Synergy Telecom (P) Ltd

Synergy Telecom (P) Ltd Synergy Telecom (P) Ltd Synergy Telecom (P) Ltd Synergy Telecom (P) Ltd

Synergy Telecom (P) Ltd Synergy Telecom (P) Ltd Synergy Telecom (P) Ltd Synergy Telecom (P) Ltd

Synergy Telecom (P) Ltd Synergy Telecom (P) Ltd Synergy Telecom (P) Ltd Synergy Telecom (P) Ltd

Synergy Telecom (P) Ltd Synergy Telecom (P) Ltd Synergy Telecom (P) Ltd Synergy Telecom (P) Ltd

Synergy Telecom (P) Ltd Synergy Telecom (P) Ltd Synergy Telecom (P) Ltd Synergy Telecom (P) Ltd

Synergy Telecom (P) Ltd Synergy Telecom (P) Ltd Synergy Telecom (P) Ltd Synergy Telecom (P) Ltd

Synergy Telecom (P) Ltd Synergy Telecom (P) Ltd Synergy Telecom (P) Ltd Synergy Telecom (P) Ltd

Synergy Telecom (P) Ltd Synergy Telecom (P) Ltd Synergy Telecom (P) Ltd Synergy Telecom (P) Ltd

Synergy Telecom (P) Ltd Synergy Telecom (P) Ltd Synergy Telecom (P) Ltd Synergy Telecom (P) Ltd

Synergy Telecom (P) Ltd Synergy Telecom (P) Ltd Synergy Telecom (P) Ltd Synergy Telecom (P) Ltd

Synergy Telecom (P) Ltd Synergy Telecom (P) Ltd Synergy Telecom (P) Ltd Synergy Telecom (P) Ltd

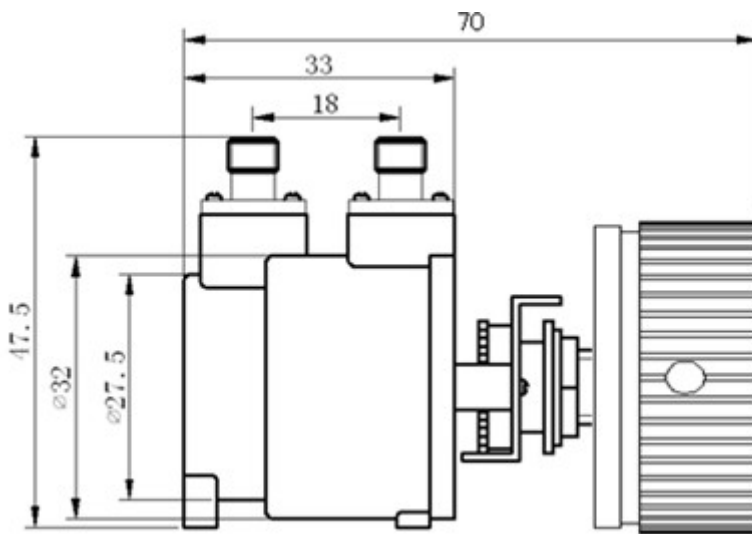
Synergy Telecom P Ltd.

Step Attenuator

SPECIFICATION

Model	Frequency (GHz)		Atten(dB)		Avg. Power (Watt)	Insertion Loss Max	Accuracy Max	VSWR Max:1	Connector	Dimension mm	Tuning option
	Start	Stop	Total	Step							
RVR1001S2	DC	3	10	1	2	0.2dB(DC-1GHz) 0.5dB(1-3GHz)	±0.5dB	1.2(DC-1GHz) 1.5(1-3GHz)	SMA	70*47.5*33	Single Rotary

Drawing



(Unit:mm) Tolerance: ±2%

Synergy Telecom P Ltd.

Step Attenuator

Dual Rotary, DC-3GHz



Specifications

- Frequency range: DC-3GHz
- 0-30dB, in 0/1/2/3/4/5/6/7/8/9/10/20 (dB)
- Avg Power: 2W
- Impedance: 50 ohm
- SMA Connector
- Operating Temperature: -40°C ~ +70°C

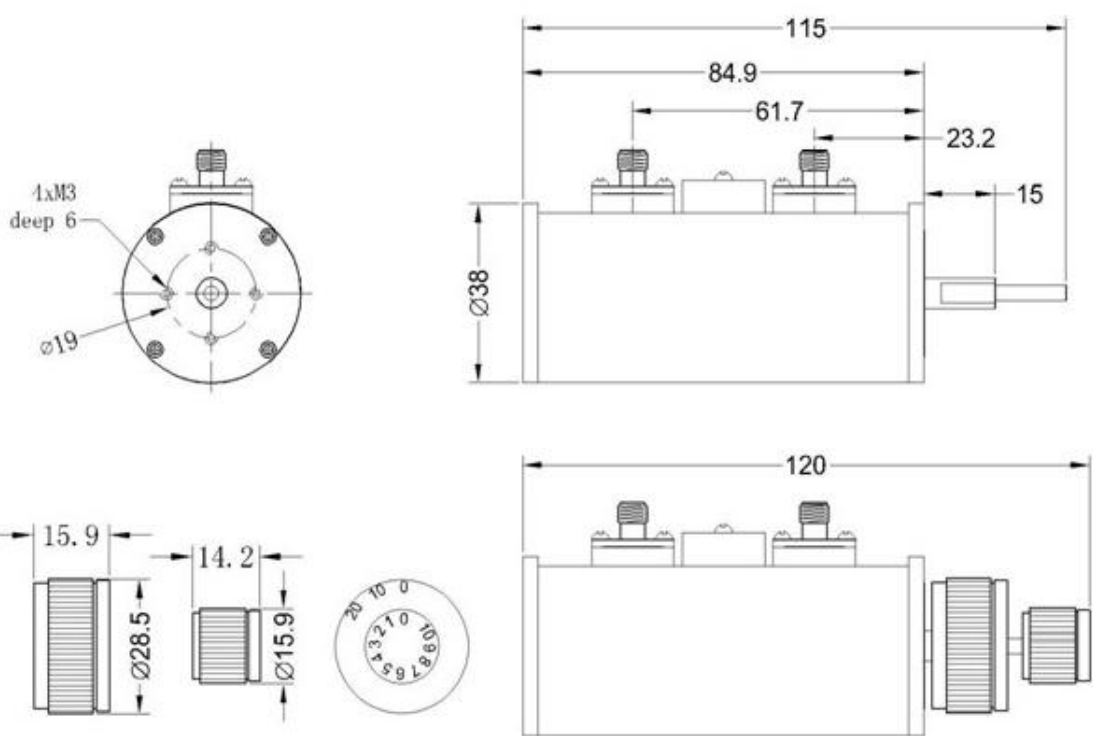
Synergy Telecom P Ltd.

Step Attenuator

SPECIFICATION

Model	Frequency (GHz)		Atten(dB)		Avg. Power	Insertion Loss	Accuracy	VSWR	Connector	Dimension	Tuning
	No.	Start	Stop	Total	Step	(Watt)	Max	Max		Max:1	mm
RVR300IS2	DC	3	30	1	2	1.1dB	±0.5dB	1.6	SMA	Φ38*120	Dual Rotary

Drawing



(Unit:mm) Tolerance: ±2%

Synergy Telecom P Ltd.

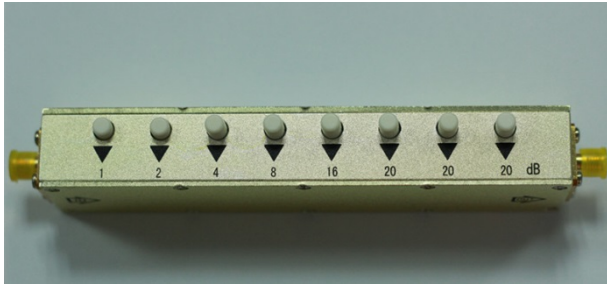
Synergy Telecom (P) Ltd Synergy Telecom (P) Ltd Synergy Telecom (P) Ltd Synergy Telecom (P) Ltd

Step Attenuator

Synergy Telecom (P) Ltd Synergy Telecom (P) Ltd Synergy Telecom (P) Ltd Synergy Telecom (P) Ltd

Pushbutton, DC-2.5GHz

Synergy Telecom (P) Ltd Synergy Telecom (P) Ltd Synergy Telecom (P) Ltd Synergy Telecom (P) Ltd



Specifications

- Frequency range: DC-2.5GHz
- 0-90dB, 1dB/step, 1/2/4/8/16/20/20/20 (dB)
- AvgPower:5W
- Operating Temperature:-40°C ~+70°C
- Impedance: 50 ohm
- SMA or N type Connector

Features

- Thin film technology
- RoHS compliant, ALN substrate
- Panel-mountable or on bench box
- Ideal for tuning OEM systems in production or laboratory applications
- Easy to adjust
- Low VSWR
- Switch life: 5000 Times

Synergy Telecom (P) Ltd Synergy Telecom (P) Ltd Synergy Telecom (P) Ltd Synergy Telecom (P) Ltd

Synergy Telecom (P) Ltd Synergy Telecom (P) Ltd Synergy Telecom (P) Ltd Synergy Telecom (P) Ltd

Synergy Telecom (P) Ltd Synergy Telecom (P) Ltd Synergy Telecom (P) Ltd Synergy Telecom (P) Ltd

Synergy Telecom (P) Ltd Synergy Telecom (P) Ltd Synergy Telecom (P) Ltd Synergy Telecom (P) Ltd

Synergy Telecom (P) Ltd Synergy Telecom (P) Ltd Synergy Telecom (P) Ltd Synergy Telecom (P) Ltd

Synergy Telecom (P) Ltd Synergy Telecom (P) Ltd Synergy Telecom (P) Ltd Synergy Telecom (P) Ltd

Synergy Telecom (P) Ltd Synergy Telecom (P) Ltd Synergy Telecom (P) Ltd Synergy Telecom (P) Ltd

Synergy Telecom (P) Ltd Synergy Telecom (P) Ltd Synergy Telecom (P) Ltd Synergy Telecom (P) Ltd

Synergy Telecom (P) Ltd Synergy Telecom (P) Ltd Synergy Telecom (P) Ltd Synergy Telecom (P) Ltd

Synergy Telecom (P) Ltd Synergy Telecom (P) Ltd Synergy Telecom (P) Ltd Synergy Telecom (P) Ltd

Synergy Telecom (P) Ltd Synergy Telecom (P) Ltd Synergy Telecom (P) Ltd Synergy Telecom (P) Ltd

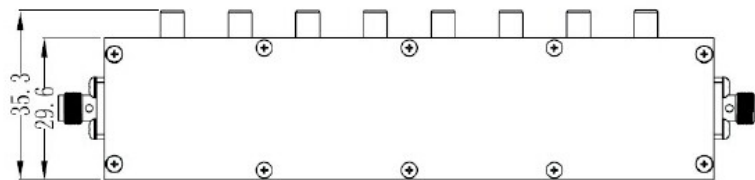
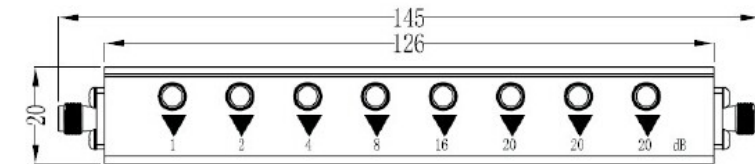
Synergy Telecom P Ltd.

Step Attenuator

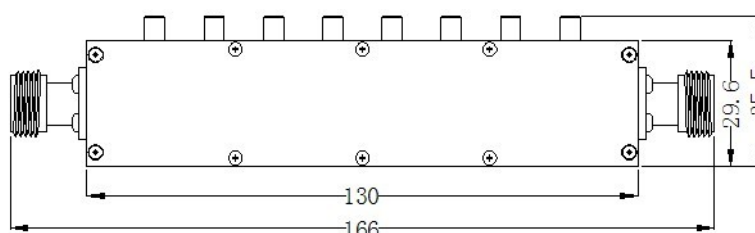
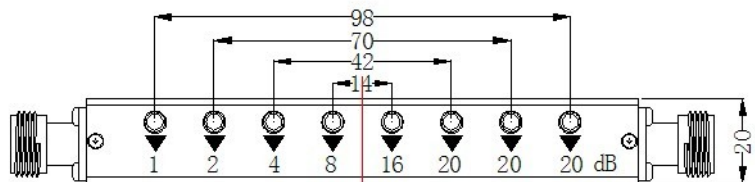
SPECIFICATION

Model	Frequency (GHz)		Atten(dB)		Avg. Power (Watt)	Insertion Loss max(db)	Accuracy ±dB Max	VSWR max:1	Connector	Dimension mm
	Start	Stop	Total	Step						
RVB9001S5	DC	2.5	90	1	5	3.5	±0.5 dB 0-10 dB ±0.8 dB 10-50 dB ±2.5 % ≥50 dB	1.4	SMA	145x20x35.5
RVB9001N5	DC	2.5	90	1	5	3.5	±0.5 dB 0-10 dB ±0.8 dB 10-50 dB ±2.5 % ≥50 dB	1.5	N Type	166x20x35.3

Drawing



SMA



N Type (Unit:mm)

Synergy Telecom P Ltd.

Step Attenuator

Hot switchable, DC-4GHz



Specifications

- Frequency range: DC-4GHz
- 0-35dB, in 1/2/4/8/10/10 (dB)
- Avg Power: 2W
- Impedance: 50 ohm
- Operating Temperature: -40°C ~ +85°C
- SMA Connector: Brass & stainless steel options
- Body Material: Nickel plated aluminum

Synergy Telecom P Ltd.

Step Attenuator

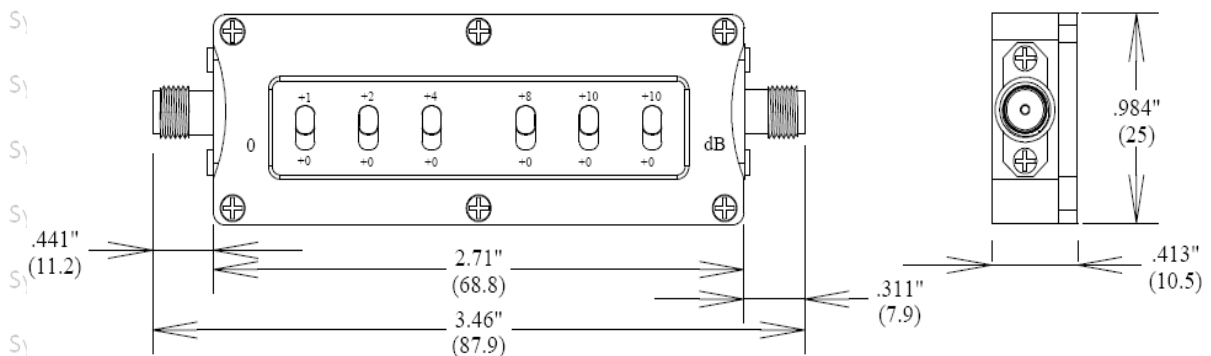
SPECIFICATION

Synergy Telecom (P) Ltd Synergy Telecom (P) Ltd Synergy Telecom (P) Ltd Synergy Telecom (P) Ltd

Model	Frequency (GHz)		Atten(dB)		Avg. Power (Watt)	Insertion Loss Max	Accuracy Max	VSWR
	Start	Stop	Total	Step				
RVS3501S2	DC	4	35	1	2	0.50dB @ 1GHz 0.90dB @ 2GHz 1.30dB @ 3GHz 1.70dB @ 4GHz	0~+0.60dB @ 1GHz 0~+1.30dB @ 2GHz 0~+2.00dB @ 3GHz 0~+3.00dB @ 4GHz	Max: 1.45(DC-4GHz) Typical: 1.10(DC-3GHz)

Synergy Telecom (P) Ltd Synergy Telecom (P) Ltd Synergy Telecom (P) Ltd Synergy Telecom (P) Ltd

Drawing



Synergy Telecom (P) Ltd Synergy Telecom (P) Ltd Synergy Telecom (P) Ltd Synergy Telecom (P) Ltd

Synergy Telecom (P) Ltd Synergy Telecom (P) Ltd Synergy Telecom (P) Ltd Synergy Telecom (P) Ltd

Synergy Telecom (P) Ltd Synergy Telecom (P) Ltd Synergy Telecom (P) Ltd Synergy Telecom (P) Ltd

Synergy Telecom (P) Ltd Synergy Telecom (P) Ltd Synergy Telecom (P) Ltd Synergy Telecom (P) Ltd

Synergy Telecom (P) Ltd Synergy Telecom (P) Ltd Synergy Telecom (P) Ltd Synergy Telecom (P) Ltd

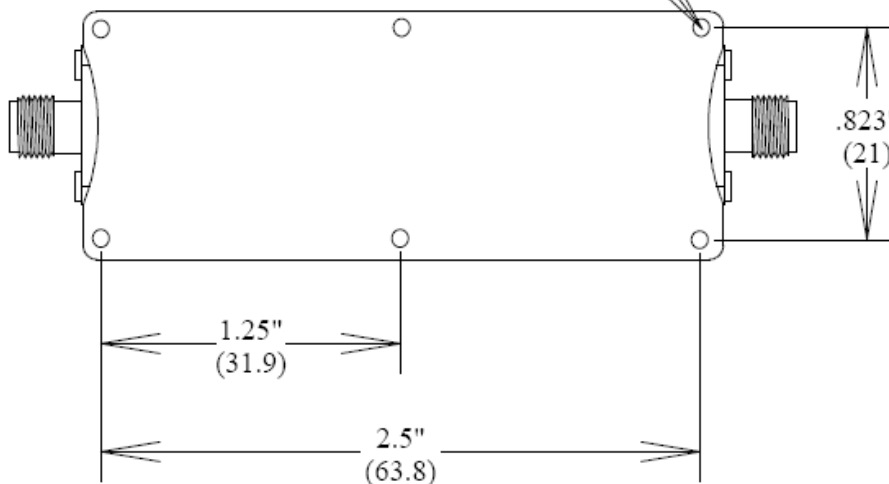
Synergy Telecom (P) Ltd Synergy Telecom (P) Ltd Synergy Telecom (P) Ltd Synergy Telecom (P) Ltd

Synergy Telecom (P) Ltd Synergy Telecom (P) Ltd Synergy Telecom (P) Ltd Synergy Telecom (P) Ltd

Synergy Telecom (P) Ltd Synergy Telecom (P) Ltd Synergy Telecom (P) Ltd Synergy Telecom (P) Ltd

Synergy Telecom (P) Ltd Synergy Telecom (P) Ltd Synergy Telecom (P) Ltd Synergy Telecom (P) Ltd

MOUNTING HOLES
3x M2.5



Dimension in inch(mm), Tolerance: $\pm 2\%$

Synergy Telecom P Ltd.

Synergy Telecom (P) Ltd Synergy Telecom (P) Ltd Synergy Telecom (P) Ltd Synergy Telecom (P) Ltd
Synergy Telecom (P) Ltd Synergy Telecom (P) Ltd Synergy Telecom (P) Ltd Synergy Telecom (P) Ltd
Synergy Telecom (P) Ltd Synergy Telecom (P) Ltd Synergy Telecom (P) Ltd Synergy Telecom (P) Ltd
Synergy Telecom (P) Ltd Synergy Telecom (P) Ltd Synergy Telecom (P) Ltd Synergy Telecom (P) Ltd

Step Attenuator

Hot Switchable, DC-4GHz



Specifications

- Frequency range: DC-4GHz
- 0-15dB, in 1/2/4/8 (dB)
- Avg Power: 2W
- Impedance: 50 ohm
- Operating Temperature: -40°C ~ +85°C
- SMA Connector: Brass & stainless steel options
- Body Material: Nickel plated aluminum

Synergy Telecom (P) Ltd Synergy Telecom (P) Ltd Synergy Telecom (P) Ltd Synergy Telecom (P) Ltd
Synergy Telecom (P) Ltd Synergy Telecom (P) Ltd Synergy Telecom (P) Ltd Synergy Telecom (P) Ltd
Synergy Telecom (P) Ltd Synergy Telecom (P) Ltd Synergy Telecom (P) Ltd Synergy Telecom (P) Ltd
Synergy Telecom (P) Ltd Synergy Telecom (P) Ltd Synergy Telecom (P) Ltd Synergy Telecom (P) Ltd
Synergy Telecom (P) Ltd Synergy Telecom (P) Ltd Synergy Telecom (P) Ltd Synergy Telecom (P) Ltd
Synergy Telecom (P) Ltd Synergy Telecom (P) Ltd Synergy Telecom (P) Ltd Synergy Telecom (P) Ltd
Synergy Telecom (P) Ltd Synergy Telecom (P) Ltd Synergy Telecom (P) Ltd Synergy Telecom (P) Ltd
Synergy Telecom (P) Ltd Synergy Telecom (P) Ltd Synergy Telecom (P) Ltd Synergy Telecom (P) Ltd
Synergy Telecom (P) Ltd Synergy Telecom (P) Ltd Synergy Telecom (P) Ltd Synergy Telecom (P) Ltd
Synergy Telecom (P) Ltd Synergy Telecom (P) Ltd Synergy Telecom (P) Ltd Synergy Telecom (P) Ltd
Synergy Telecom (P) Ltd Synergy Telecom (P) Ltd Synergy Telecom (P) Ltd Synergy Telecom (P) Ltd
Synergy Telecom (P) Ltd Synergy Telecom (P) Ltd Synergy Telecom (P) Ltd Synergy Telecom (P) Ltd

Step Attenuator

SPECIFICATION

Synergy Telecom (P) Ltd Synergy Telecom (P) Ltd Synergy Telecom (P) Ltd Synergy Telecom (P) Ltd

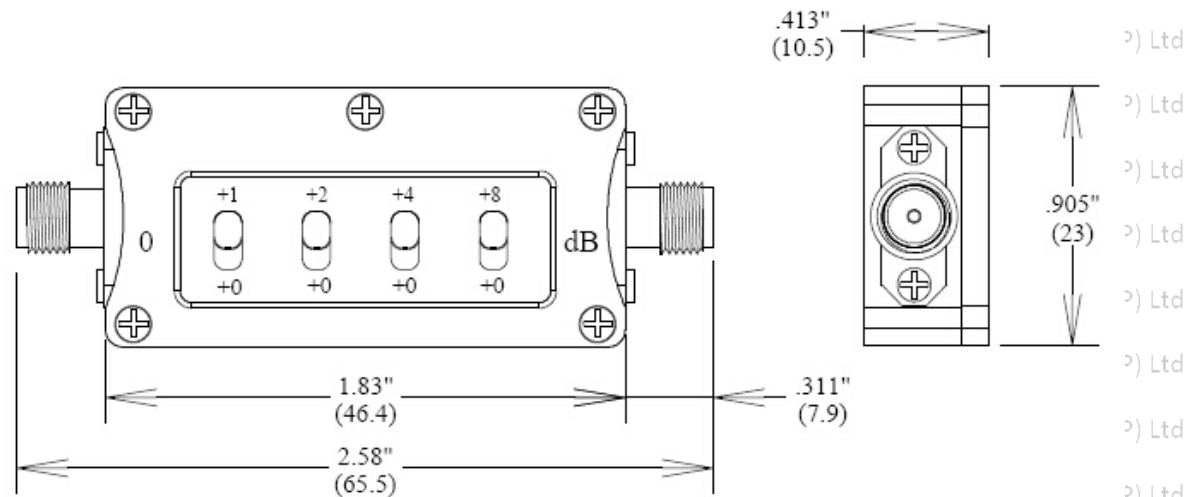
Model	Frequency (GHz)		Atten(dB)		Avg. Power (Watt)	Insertion Loss Max	Accuracy Max	VSWR
	No.	Start	Stop	Total				
RVS1501S2	DC	4	15	1	2	0.45dB @ 1GHz 0.55dB @ 2GHz 1.10dB @ 3GHz 1.30dB @ 4GHz	0~+0.50dB @ 1GHz 0~+0.85dB @ 2GHz 0~+1.55dB @ 3GHz 0~+2.50dB @ 4GHz	Max: 1.35(DC-4GHz) Typical: 1.15(DC-3GHz)

Synergy Telecom (P) Ltd Synergy Telecom (P) Ltd Synergy Telecom (P) Ltd Synergy Telecom (P) Ltd

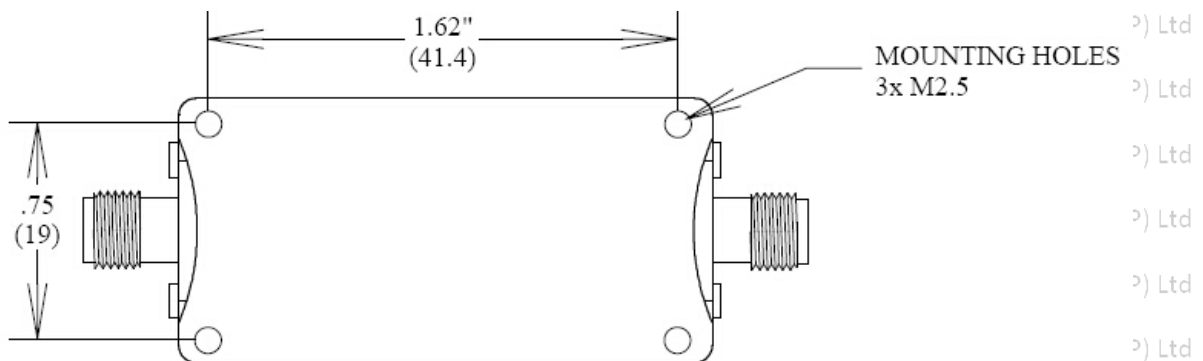
Synergy Telecom (P) Ltd Synergy Telecom (P) Ltd Synergy Telecom (P) Ltd Synergy Telecom (P) Ltd

Drawing

Synergy Telecom (P) Ltd Synergy Telecom (P) Ltd Synergy Telecom (P) Ltd Synergy Telecom (P) Ltd



Synergy Telecom (P) Ltd Synergy Telecom (P) Ltd Synergy Telecom (P) Ltd Synergy Telecom (P) Ltd



Dimension in inch(mm), Tolerance: $\pm 2\%$