

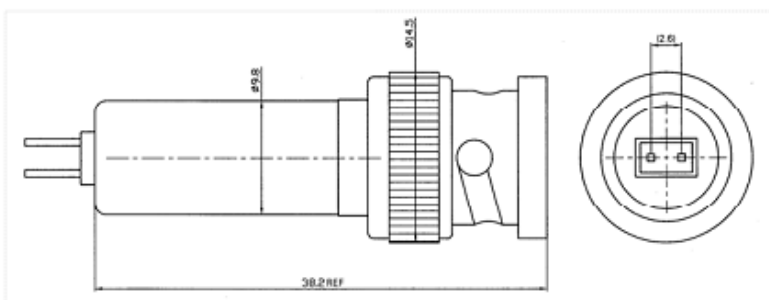
Synergy Telecom P Ltd.

BNC male wire wrap mini Balun

Description

Saye Baluns are the ideal solution to this problem as they allow two systems of different characteristic impedance to each see their ideal load and source impedance. This avoids losses caused by mismatch and allows full coupling of the transmitted energy from one part of the system to the next.

Saye Baluns for telecommunications supports data meets or exceeds all the parameters of the ITU-G.703 specifications.



[Drawing Image]

[Product Image]

P/N: B1881 (BNC Male wire wrap Mini Balun Connector)

Specifications

ELECTRICAL

2-8 Mbit/s speed version (for E1/T1 and E2/T2 data streams), 75Ω/120Ω

2-8-34 Mbit/s speed version (for E1/T1 to E3 data streams), 75Ω/120Ω

Insulation > 250V

Working Temperature -20°C to +75°C

MECHANICAL

Connector durability 500 mating and unmating cycles min.

MATERIAL

Note: We can provide other material and plating according to customers' requirements.