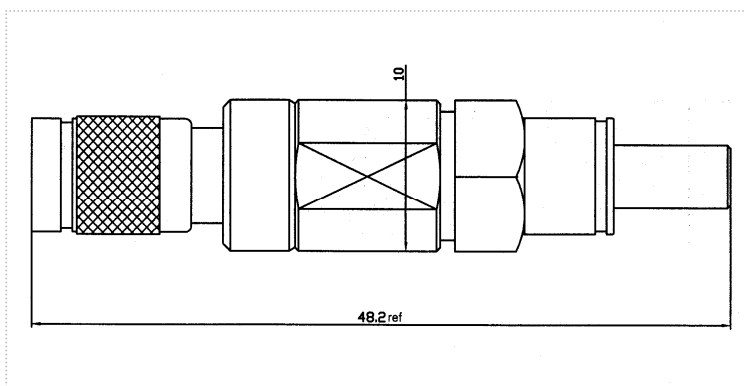


Balun Connector Series

Description

Sayre Baluns are the ideal solution to this problem as they allow two systems of different characteristic impedance to each see their ideal load and source impedance. This avoids losses caused by mismatch and allows full coupling of the transmitted energy from one part of the system to the next.

Sayre Baluns for telecommunications supports data meets or exceeds all the parameters of the ITU-G.703 specifications.



[Drawing Image]

[Product Image]

P/N: B3882 (1.0/2.3 Male In line Mini Balun Connector)

Specifications

ELECTRICAL

2-8 Mbit/s speed version (for E1/T1 and E2/T2 data streams), 75Ω/120Ω	
2-8-34 Mbit/s speed version (for E1/T1 to E3 data streams), 75Ω/120Ω	
Insulation	> 250V
Working Temperature	-20°C to +75°C

MECHANICAL

Connector durability	500 mating and unmating cycles min.
----------------------	-------------------------------------

MATERIAL

Note: We can provide other material and plating according to customers' requirements.