

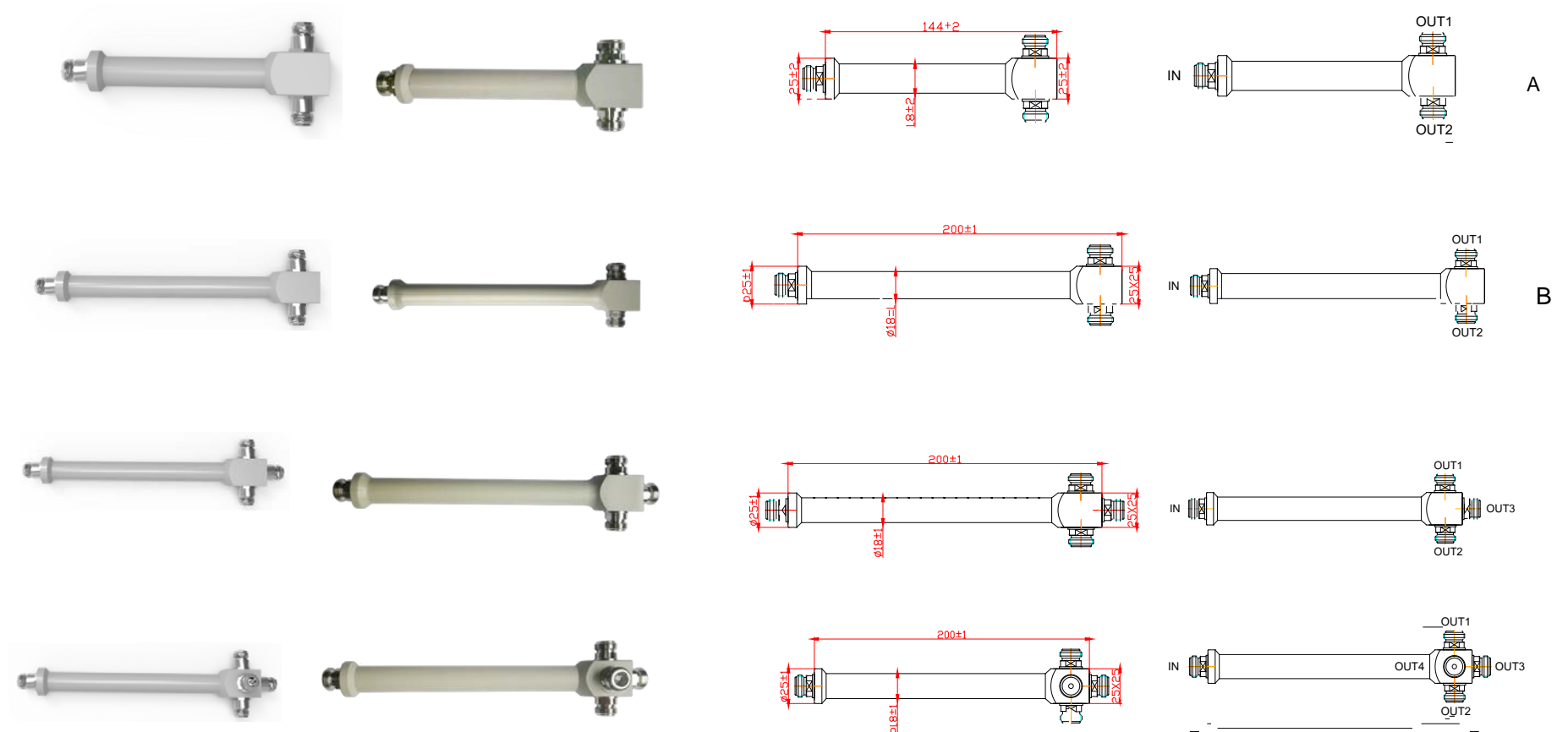
Synergy Telecom P Ltd.

698-3800MHz Cavity Power Splitter / Power Divider

Operating Frequency(MHz)	698-3800
Impedance(Ohm)	50
VSWR	≤1.30
IM3 (dBc @ 2x43dBm)	-163
Application	Indoor
Degree of Protection	IP54
Handling Power (Watt max.)	300
Peak Power(Watt, max)	1200
Operating Temperature(°C)	-40 ~ + 80
Body Material	Aluminum
Interface	N Female
Connector Material	Copper alloy or Zinc alloy

ONX in P/N	Way	Split Loss (dB)	Dimensions(mm) (LxWxH, excluding connector)	Net Weight (g)	Packing Weight (kg /- pcs)	Packing Dimensions (mm)(LxWxH)	Packing Carton Size (mm)(LxWxH)
ON2	2-way	≤3.5	144x25x25	140±20	9.4/50	180x75x30	400x380x175
ON2	2-way	≤3.5	200x25x25	160±20	9.0/40	240x80x30	540x420x160
ON3	3-way	≤5.4	200x25x25	180±20	9.8/40	280x80x35	580x420x160
ON4	4-way	≤6.9	200x25x25	200±20	8.7/30	280x80x50	580x420x160

698-3800MHz Cavity Power Splitter / Power Divider



IN1→OUT1 : DC PASS IN1→OUT2 : DC PASS
 IN1→OUT3 : DC PASS IN1→OUT4 : DC PASS

3D Drawing

Product Image

Outline Drawing