

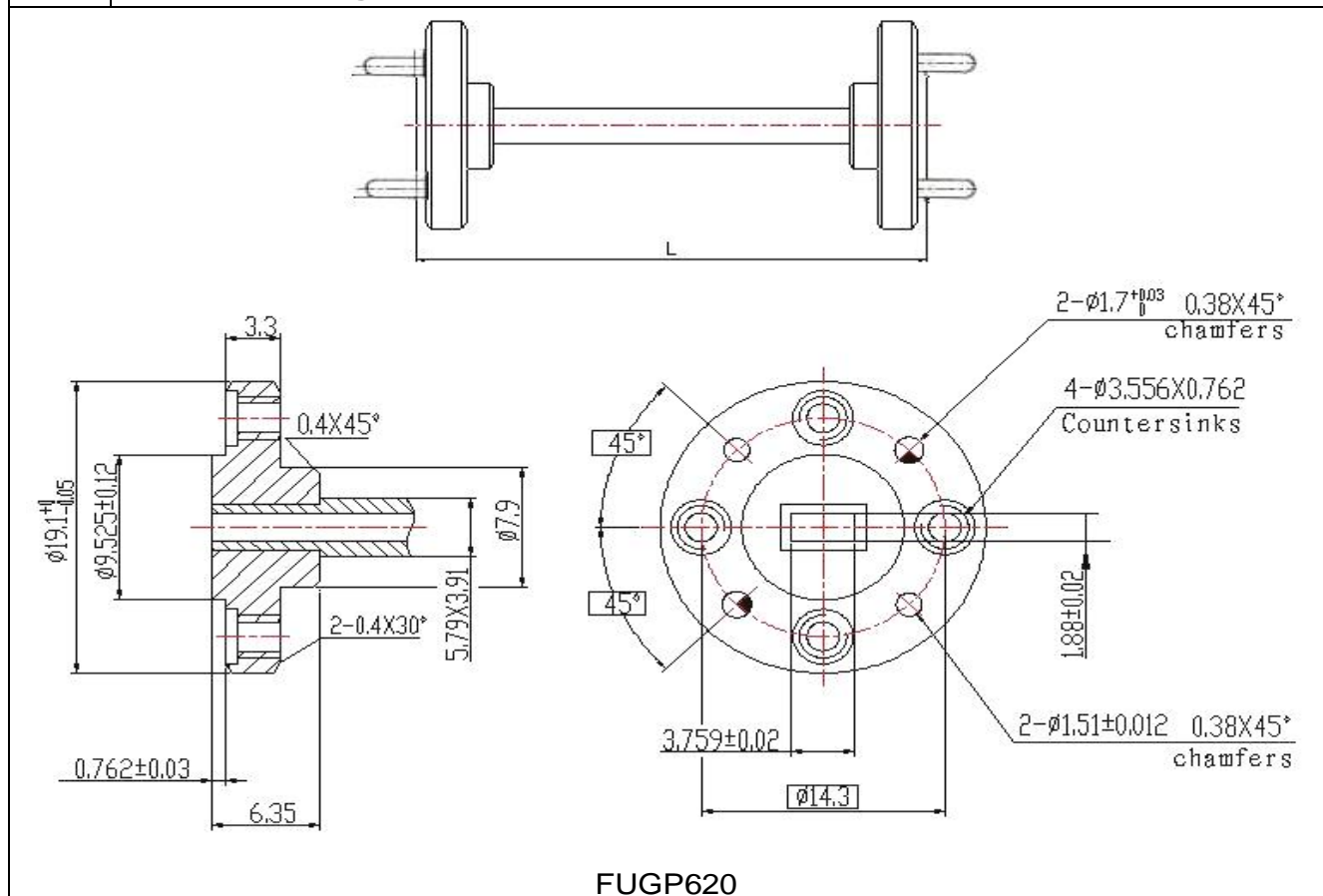
# SYNERGY TELECOM P. LTD

## WR15 Straight Waveguide

Part No: ST620WAL50PPC

1.0 Mechanical Specifications	
1.1	Waveguide type
1.2	Flange type
1.3	Material
1.4	Finish
1.5	Length
2.0 Electrical Specifications	
2.1	Frequency Range
2.2	VSWR (Max)

### 3.0 Outline Drawings



WZ-47 BUDHELLA VILLAGE, VIKASPURI, NEW DELHI – 110018

PHONE: 011-28533349, MOB: 9810138894/9212558066, FAX: 011-28533349

EMAIL: [info@rfconnector.in](mailto:info@rfconnector.in), WEBSITE: <http://rfconnector.in/>