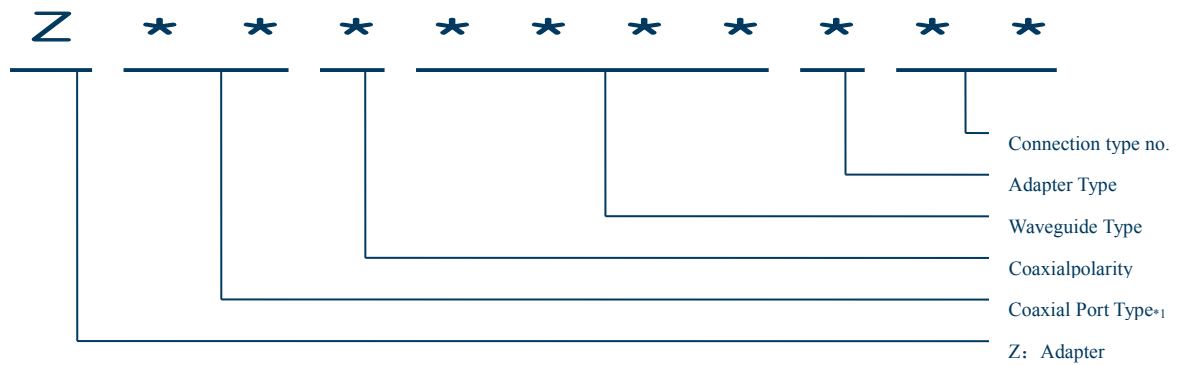


Waveguide-Coaxial Adapter



⌀ 2.92mm to WR28	26.5~40GHz
⌀ 2.4mm to WR28	26.5~40GHz
⌀ 2.92mm to WR22	33~40GHz
⌀ 2.4mm to WR22	33~50GHz

Part Number Designation of Waveguide -Coaxial Adapter



*1、Coaxial Port Type

36	2.92mm
37	2.4mm

*2、Coaxial Port Polarity

0	K/Jack/Female
1	J/Plug/Male

*3 Adapter Type

Z	bonded structure
W	orthorhombic structure

Waveguide-Coaxial Adapter

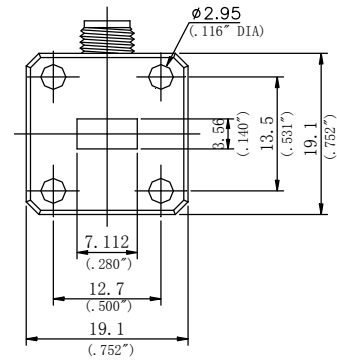
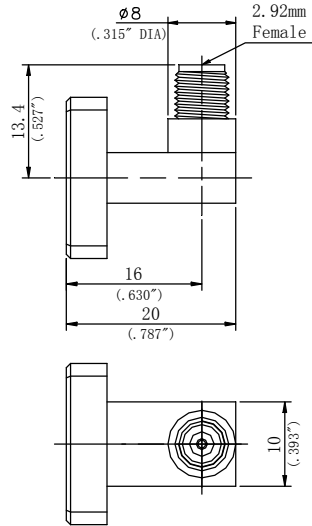
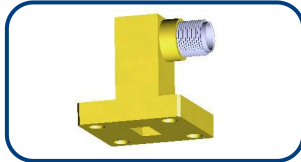
Performance Features

Impedance: 50Ω
 Operating Temperature: -55℃~+125℃
 Durability: 500Cycles

Materials/Finishes

Adapter Housing: Type 303 Stainless Steel-Polished&Passivated
 Waveguide Housing: Brass Plated Gold

Interface 2.92mmPerMIL-STD-348A 2.4mmPer IEC 61169

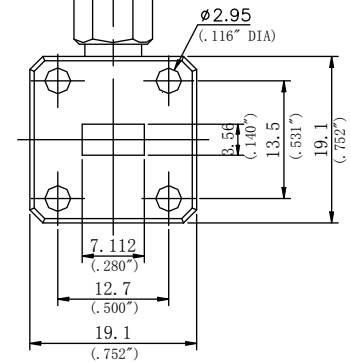
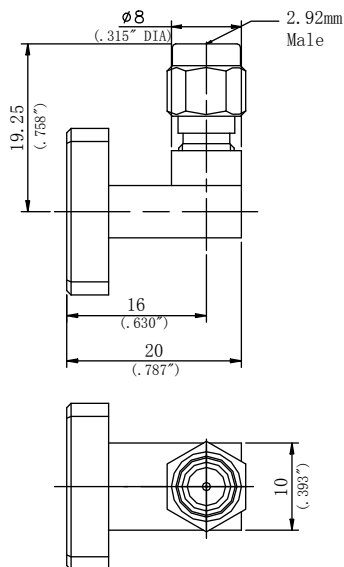
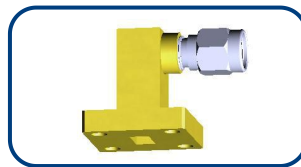


Description 2.92mm(f)-WR28

Part no. Z360WR28Z01

Frequency Range 26.5GHz~40GHz

VSWR 1.25:1(max)



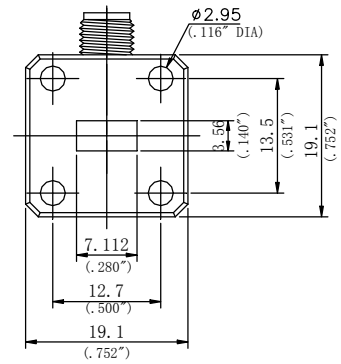
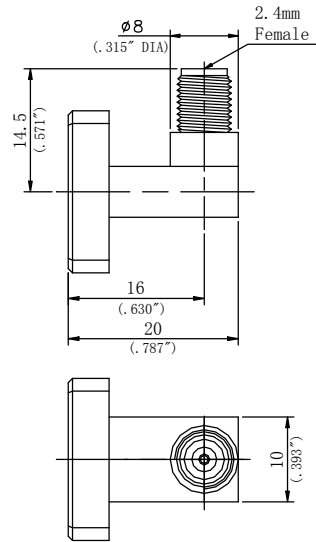
Description 2.92mm(m)-WR28

Part no. Z361WR28Z01

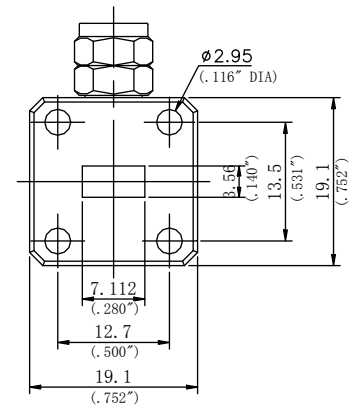
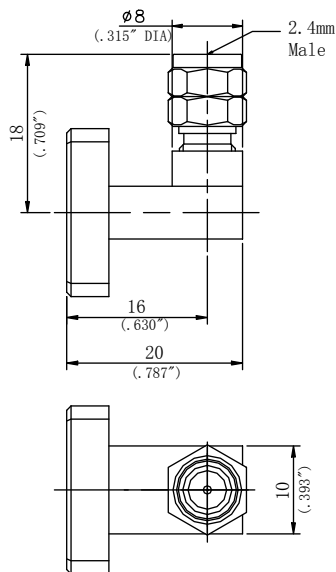
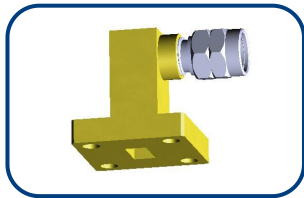
Frequency Range 26.5GHz~40GHz

VSWR 1.25:1(max)

Waveguide-Coaxial Adapter

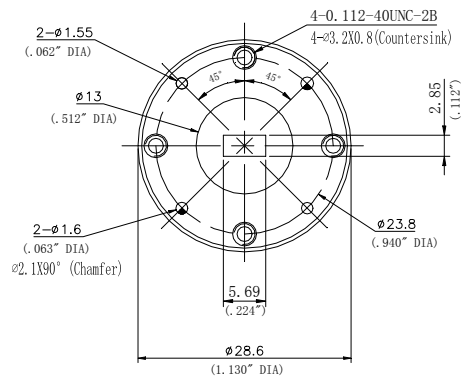
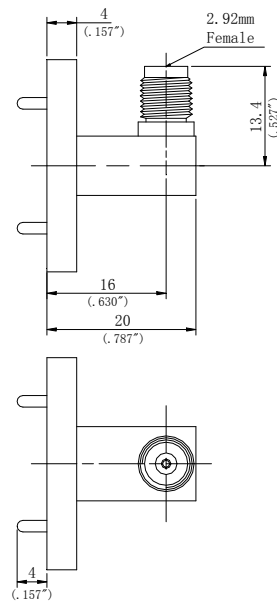
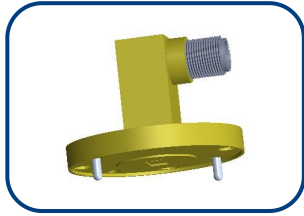


Description	2.4mm(f)-WR28
Part no.	Z370WR28Z01
Frequency Range	26.5GHz~40GHz
VSWR	1.25:1(max)

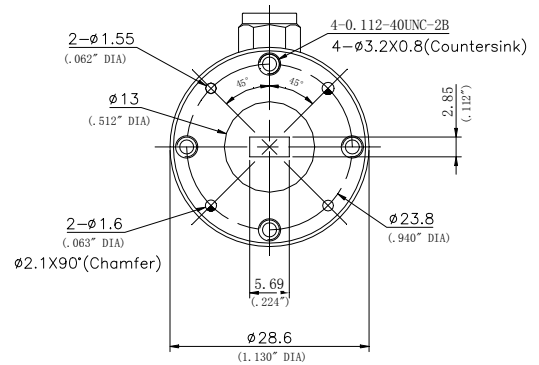
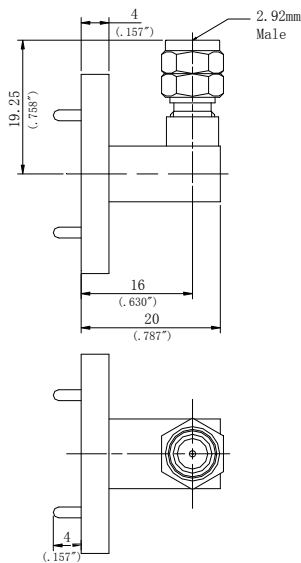
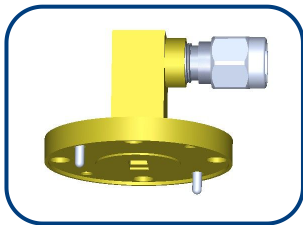


Description	2.4mm(m)-WR28
Part no.	Z371WR28Z01
Frequency Range	26.5GHz~40GHz
VSWR	1.25:1(max)

Waveguide-Coaxial Adapter

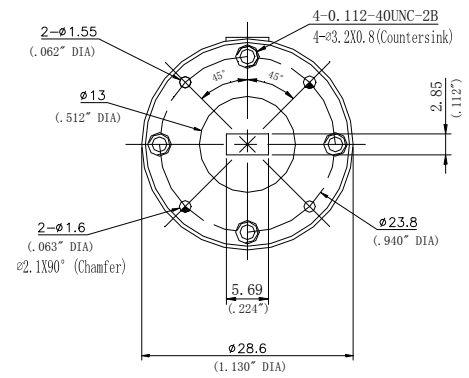
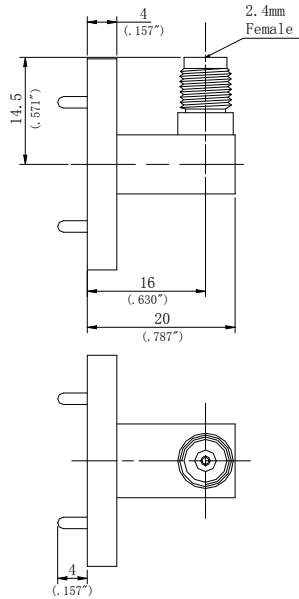
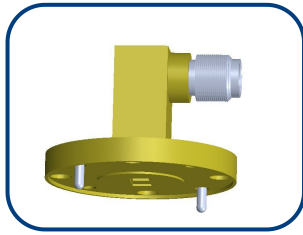


Description	2.92mm(f)-WR22
Part no.	Z360WR22Z03
Frequency Range	33GHz~40GHz
VSWR	1.30:1(max)

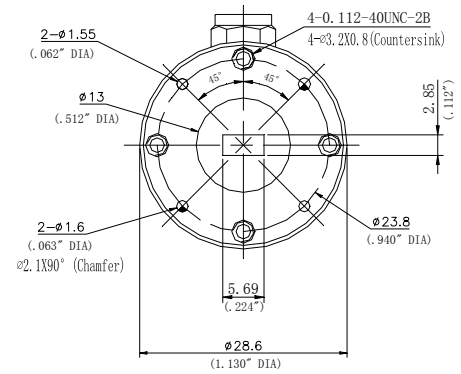
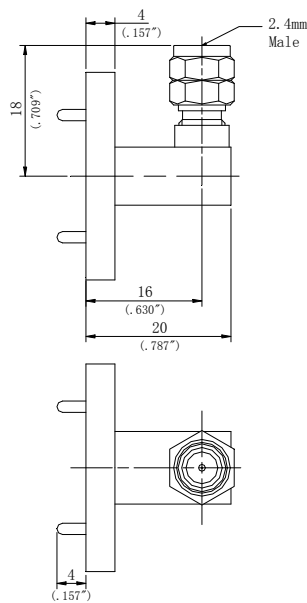
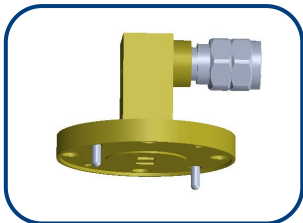


Description	2.92mm(m)-WR22
Part no.	Z361WR22Z03
Frequency Range	33GHz~40GHz
VSWR	1.30:1(max)

Waveguide-Coaxial Adapter



Description	2.4mm(f)-WR22
Part no.	Z370WR22Z03
Frequency Range	33GHz~50GHz
VSWR	1.35:1(max)



Description	2.4mm(m)-WR22
Part no.	Z371WR22Z03
Frequency Range	33GHz~50GHz
VSWR	1.35:1(max)