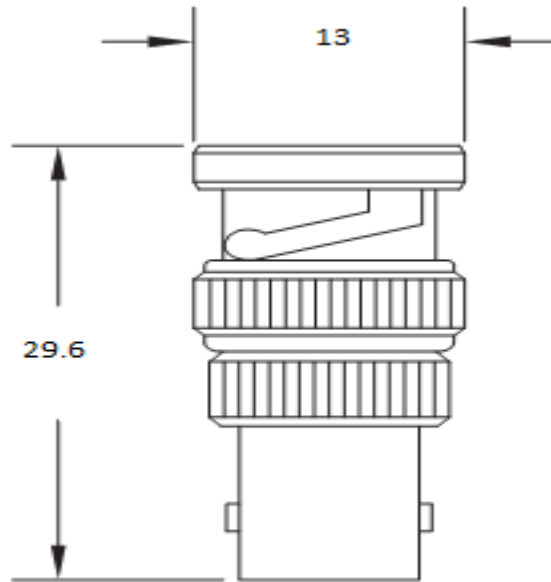


# Synergy Telecom P Ltd.

## **BNC F TO BNC M ADAPTOR**

**Part no-ST01BBFM006**



### **Electrical:**

Characteristic Impedance	50 ohm
Frequency Range	DC-6 GHz
VSWR	$\leq 1.10 @ DC-3 \text{ GHz}$
Insertion Loss	$\leq 0.10 \text{ dB}$

### **Mechanical:**

Durability	Mating Cycles $\geq 500$
------------	--------------------------

### **Material and Plating:**

	<b>Material</b>	<b>Plating</b>
Body	Brass	Ni
Insulator	PTFE(Teflon)	-
Center conductor	Phosphor Copper	Au

### **Environmental:**

Operating Temperature Range	$-40^{\circ}\text{C} \sim +85^{\circ}\text{C}$
RoHs	Compliant
Weatherproof Rate	IP 67

WZ-47 BUDHELLA VILLAGE ,VIKASPURI NEW DELHI-110018  
Phone: 011-28533349, Mob: 9810138894/9212558066, Fax: 011-28533349  
Email:- info@rfconnector.in, Website:- www.rfconnector.in