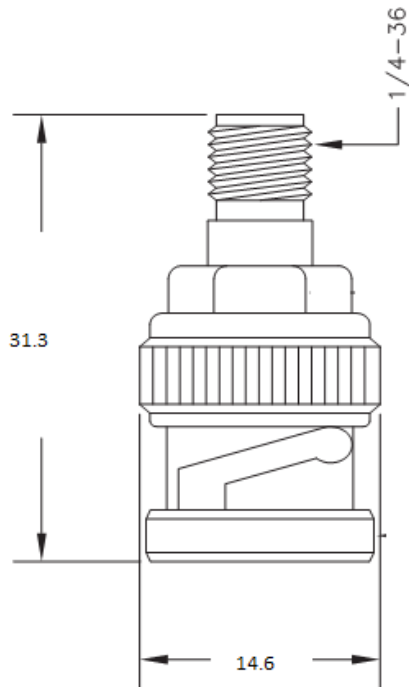


# Synergy Telecom P Ltd.

## BNC M TO SMA F ADAPTOR

Part no-ST01BSMF006



### Electrical:

Characteristic Impedance	50 ohm
Frequency Range	DC-6 GHz
VSWR	≤1.10@DC-3 GHz
Insertion Loss	≤0.10 dB

### Mechanical:

Durability	Mating Cycles ≥500
------------	--------------------

### Material and Plating:

	Material	Plating
Body	Brass	Ni
Insulator	PTFE(Teflon)	-
Center conductor	Phosphor Copper	Au

WZ-47 BUDHELLA VILLAGE ,VIKASPURI NEW DELHI-110018  
Phone: 011-28533349, Mob: 9810138894/9212558066, Fax: 011-28533349  
Email:- info@rfconnector.in, Website:- www.rfconnector.in

# Synergy Telecom P Ltd.

## **Environmental:**

Operating Temperature Range

-40°C ~ +85°C

RoHs

Compliant

Weatherproof Rate

IP 67

WZ-47 BUDHELLA VILLAGE ,VIKASPURI NEW DELHI-110018

Phone: 011-28533349, Mob: 9810138894/9212558066, Fax: 011-28533349

Email:- [info@rfconnector.in](mailto:info@rfconnector.in), Website:- [www.rfconnector.in](http://www.rfconnector.in)