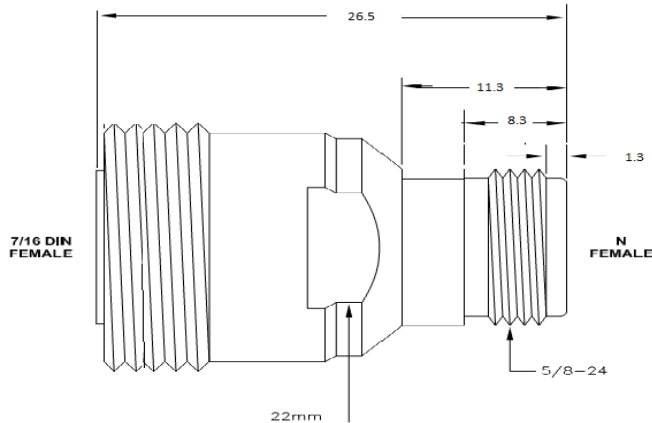


Synergy Telecom P Ltd.

DIN FEMALE TO N FEMALE ADAPTOR

Part no-ST01DNFF007



Electrical:

| | |
|--------------------------|-----------------------|
| Characteristic Impedance | 50 ohm |
| Frequency Range | DC-7.5 GHz |
| VSWR | ≤ 1.10 @DC-3 GHz |
| Insertion Loss | ≤ 0.10 dB |

Mechanical:

| | |
|------------|--------------------------|
| Durability | Mating Cycles ≥ 500 |
|------------|--------------------------|

Material and Plating:

| | Material | Plating |
|------------------|-----------------|---------|
| Body | Brass | Ni |
| Insulator | PTFE(Teflon) | - |
| Center conductor | Phosphor Copper | Au |

Environmental:

| | |
|-----------------------------|---------------|
| Operating Temperature Range | -40°C ~ +85°C |
| RoHs | Compliant |
| Weatherproof Rate | IP 67 |