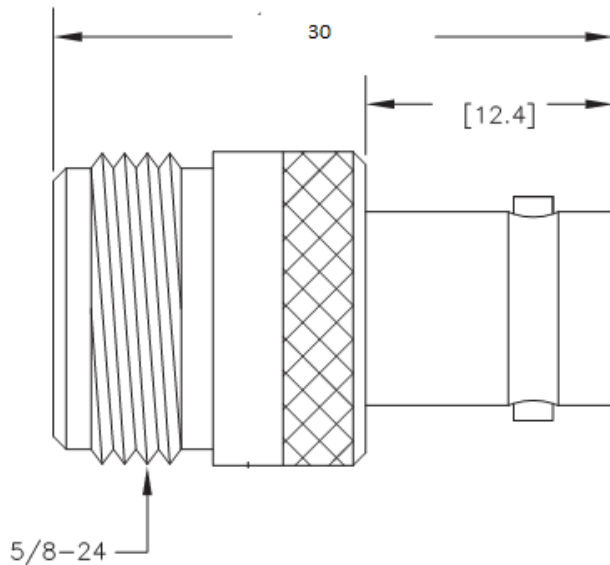


Synergy Telecom P Ltd.

N F TO BNC F ADAPTOR

Part no-ST01NBFF007



Electrical:

Characteristic Impedance	50 ohm
Frequency Range	DC-7.5 GHz
VSWR	≤1.10@DC-3 GHz
Insertion Loss	≤0.10 dB

Mechanical:

Durability	Mating Cycles ≥500
------------	--------------------

Material and Plating:

	Material	Plating
Body	Brass	Ni
Insulator	PTFE(Teflon)	-
Center conductor	Phosphor Copper	Au

Environmental:

Operating Temperature Range	-40°C ~ +85°C
RoHs	Compliant
Weatherproof Rate	IP 67

WZ-47 BUDHELLA VILLAGE ,VIKASPURI NEW DELHI-110018
Phone: 011-28533349, Mob: 9810138894/9212558066, Fax: 011-28533349
Email:- info@rfconnector.in, Website:- www.rfconnector.in