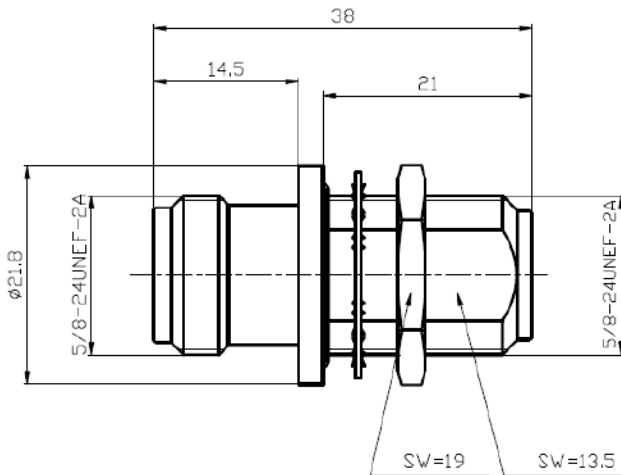


# Synergy Telecom P Ltd.

## N FEMALE TO N FEMALE B/H ADAPTOR

**Part no-ST01NFNFBH06**



### **Electrical:**

Characteristic Impedance	50 ohm
Frequency Range	DC-6 GHz
VSWR	$\leq 1.10$ @DC-3 GHz
Insertion Loss	$\leq 0.10$ dB

### **Mechanical:**

Durability	Mating Cycles $\geq 500$
------------	--------------------------

### **Material and Plating:**

	<b>Material</b>	<b>Plating</b>
Body	Brass	Ni
Insulator	PTFE(Teflon)	-
Center conductor	Phosphor Copper	Au

### **Environmental:**

Operating Temperature Range	$-40^{\circ}\text{C} \sim +85^{\circ}\text{C}$
RoHs	Compliant
Weatherproof Rate	IP 67