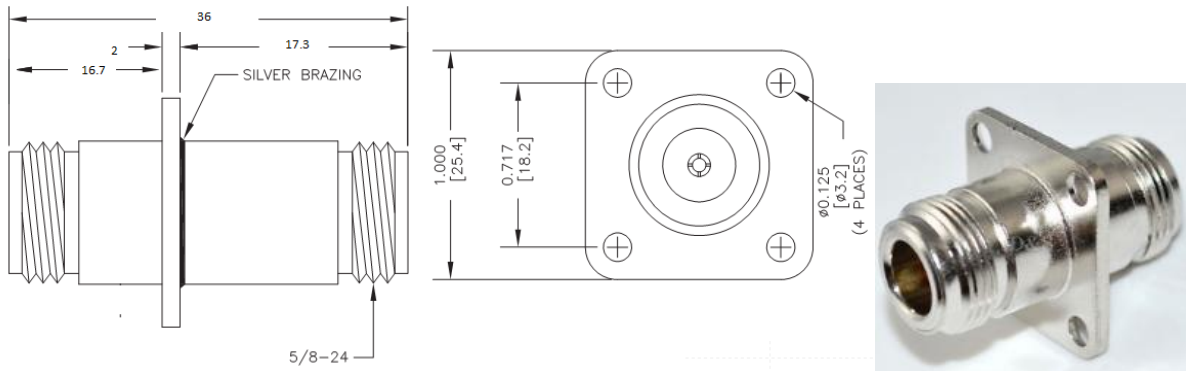


Synergy Telecom P Ltd.

N FEMALE TO N FEMALE 4 HOLE ADAPTOR

Part no-ST01NFNF406



Electrical:

Characteristic Impedance	50 ohm
Frequency Range	DC-6 GHz
VSWR	$\leq 1.10 @ DC-3 GHz$
Insertion Loss	$\leq 0.10 dB$

Mechanical:

Durability	Mating Cycles ≥ 500
------------	--------------------------

Material and Plating:

	Material	Plating
Body	Brass	Ni
Insulator	PTFE(Teflon)	-
Center conductor	Phosphor Copper	Au

Environmental:

Operating Temperature Range	$-40^{\circ}C \sim +85^{\circ}C$
RoHs	Compliant
Weatherproof Rate	IP 67