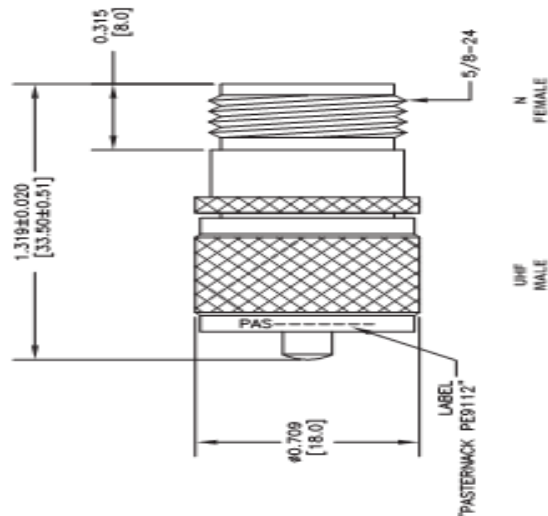


# Synergy Telecom P Ltd.

## N(m)-UHF(f) ADAPTOR

Part No-ST01NUHMFM006



### Electrical:

Characteristic Impedance	50 ohm
Frequency Range	DC- 6 GHz
VSWR	$\leq 1.15 @ DC-3 \text{ GHz}$
Insertion Loss	$\leq 0.10 \text{ dB}$

### Mechanical:

Durability	Mating Cycles $\geq 500$
------------	--------------------------

### Material and Plating:

	Material	Plating
Body	Brass	Ni
Insulator	PTFE(Teflon)	-
Center conductor	Phosphor Copper	Au

### Environmental:

Operating Temperature Range	$-40^{\circ}\text{C} \sim +85^{\circ}\text{C}$
RoHs	Compliant
Weatherproof Rate	IP 67