

SYNERGY TELECOM P. LTD

3 TO 1 COMBINER 698~2700 MHZ

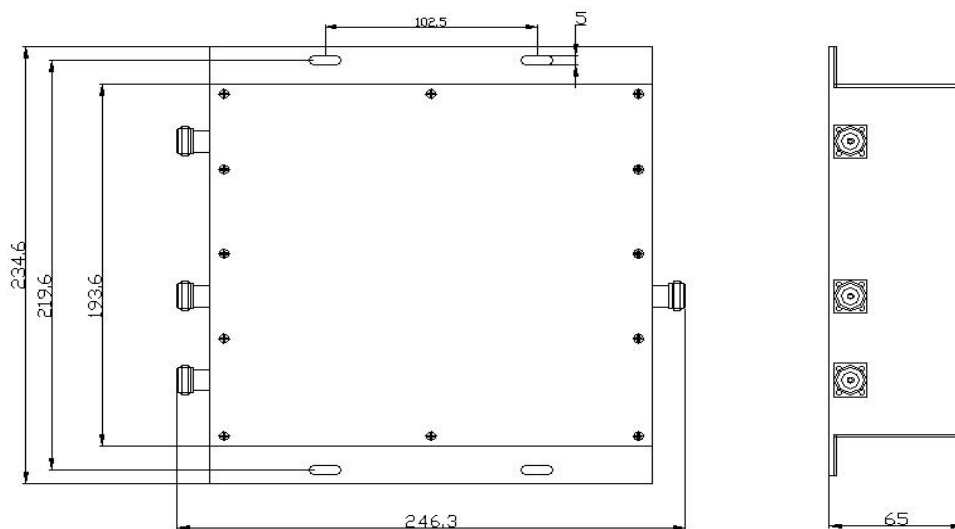
PRODUCT FEATURES

- ◆ Wide Frequency Band 698-2700MHz
- ◆ 2G/3G/4G/LTE Coverage
- ◆ Low VSWR
- ◆ High Isolation
- ◆ Low Insertion Loss
- ◆ Widely used in IBS projects

TECHNICAL AND MECHANICAL SPECIFICATION

Model No.	ST05COM31727
Frequency (MHz)	698-2700
Insertion Loss(dB)	3.65 max
Isolation(dB)	23 min
VSWR	≤1.25
Average Power(W)	200
Impedance	50 ohm
Connector	N-female
Color	Black
Temp (Deg)	-35~+85
Relative humidity	5%-95%

MECHANICAL DRAWING



WZ-47 BUDHELLA VILLAGE, VIKASPURI, NEW DELHI – 110018

PHONE: 011-28533349, MOB: 9810138894/9212558066, FAX: 011-28533349

EMAIL: info@rfconnector.in, WEBSITE: <http://rfconnector.in/>