

# Synergy Telecom P Ltd.

## PC4系列印制板连接器 Series PC4 PCB Connector

PC4系列印制板连接器主要供电子设备中连接印制电路用，它可与DIN41617中规定的相应产品互换。

Series PC4 connectors are suitable to connect PCB circuits in electronic test equipment .They are exchangeable with the relative products fixed in the specification of Din41617.

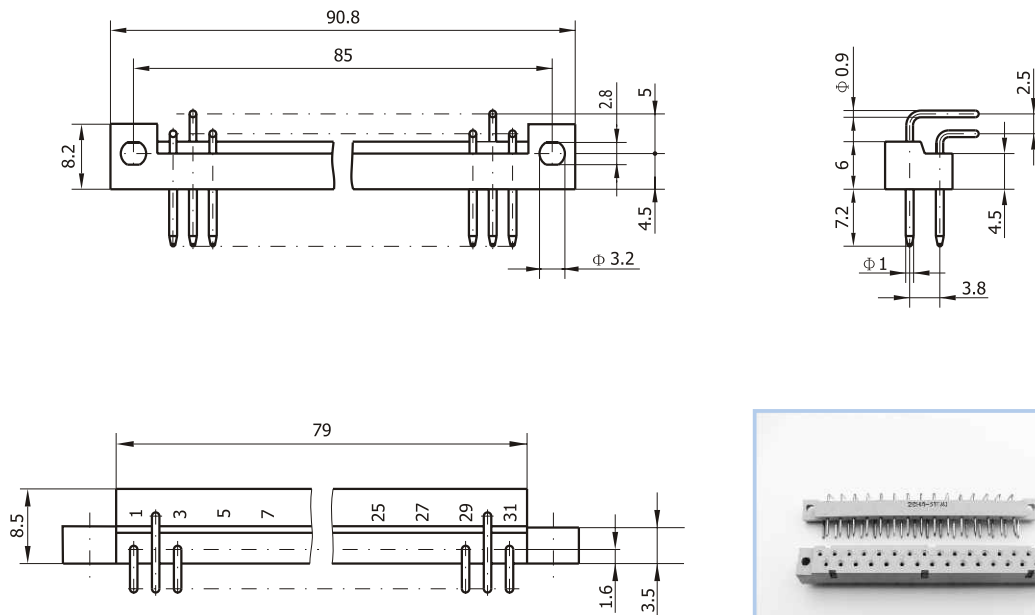
### 技术特性

#### TECHNICAL CHARACTERISTICS

环境条件 Environment condition			
温度范围 Tem Perature range	-55~+125℃	相对湿度 Relative humidity	40℃,95% 95%,at+40℃
大气压力 Air Pressure	30kpa		

主要技术性能 Key technical Performance			
额定电压 Rated Voltage	电压 300V(AC) 300V(AC)	额定电流 Rated current	2A
接触电阻 Contact resistance	正常条件下: $\leq 0.02\Omega$ $\leq 0.02\Omega$ ,at normal condition	绝缘电阻 Insulation resistance	正常条件下 $\geq 10^9\Omega$ ;高 $\geq 10^9\Omega$ ,潮湿后 $\geq 10^8\Omega$ $\geq 10^9\Omega$ ,at normal condition; $\geq 10^8\Omega$ ,after high temperature test; $\geq 10^8\Omega$ ,after humidity test.
介质耐压 Dielctric Voltage Withstanding	正常条件下1000V;低气压(30kpa)300V 1000V,at normal Condition;300V,at low pressure (30kpa)	寿命 Durability	500次 500cycles

### PC4-31TWJ型弯式插头 Type PC4-31TWJ right angle plug



PC4-31ZJ 型插座  
TYPE CP4-31ZJ receptacle

