

Synergy Telecom P Ltd.

PC5系列印制板连接器 Series Pc5 PCB Connector

PC5系列印制板连接器主要供电子设备中连接印制电路用，它可与DIN41617中规定的相应产品互换。

Series PC4 connectors are suitable to connect PCB circuits in electronic test equipment .They are exchangeable with the relative products fixed in the specification of Din41617.

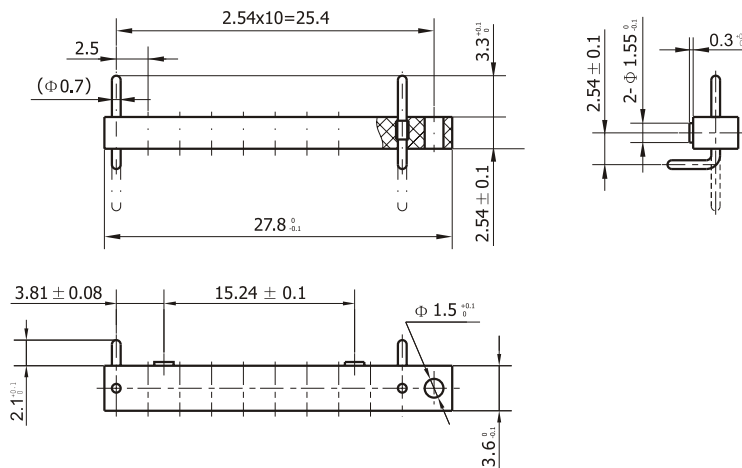
技术特性

TECHNICAL CHARACTERISTICS

环境条件 Environment condition			
温度范围 Tem Perature range	-55~+125℃	相对湿度 Relative humidity	40℃,95% 95%,at+40℃
大气压力 Air Pressure	30kpa		

主要技术性能 Key technical Performance			
额定电压 Rated Voltage	300V(AC)	额定电流 Rated current	正常条件下2A; 温度为70℃时1A 2A,at normal Condition;1A,at70℃
单脚分离力 Withdraw force per contact pair	0.5~2.5N	总分离力 Total withdraw force	不超过37.5N ≤37.5N
绝缘电阻 Insulation resistance	正常条件下≥500MΩ; 高温后≥100MΩ; 潮湿后≥10MΩ ≥500MΩ,at normal conditcon; ≥100MΩ, after High temperature test; ≥10MΩ, after humidity test		

PC5-10TWJ型插头 TYPE PC5-10TWJ plug



PC5-10ZJ型插座 TYPE PC5-10ZJ receptacle

